

“Part of your drive”

LUBRICATION SYSTEMS

STOCK CATALOGUE

EDITION 01





**125CC AUTOMATIC
LUBRICATION PUMPS**



**400CC AUTOMATIC
LUBRICATION PUMPS**



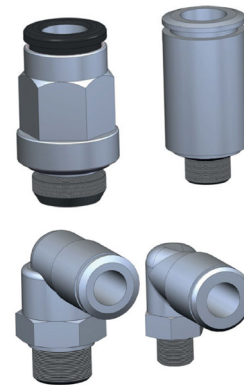
**1500CC AUTOMATIC
LUBRICATION PUMPS**



**TUBE
SPLITTERS**



**PROGRESSIVE
DISTRIBUTORS**



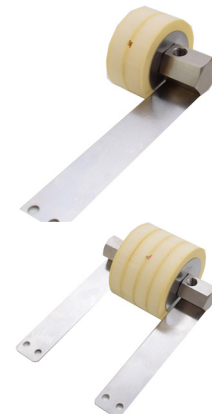
**TUBE CONNECTIONS
AND FITTINGS**











**LUBRICATION
PINIONS**



**LUBRICATION
SPROCKETS**



**LUBRICATION
ROLLERS**

<p align="center">FlexxPump 125 / 250</p>	<p align="center">05 – 14</p>	
<p align="center">FlexxPump 400 / 500</p>	<p align="center">15 – 26</p>	
<p align="center">FlexxPump 1500 / 2000</p>	<p align="center">27 – 30</p>	
<p align="center">Lubrication Pinions</p>	<p align="center">31 – 34</p>	
<p align="center">Lubrication Sprockets</p>	<p align="center">35 – 38</p>	
<p align="center">Lubrication Rollers</p>	<p align="center">39 – 42</p>	
<p align="center">Tubes, Fittings & Accessories</p>	<p align="center">43 – 52</p>	
<p align="center">Grease & Oil Lubricants</p>	<p align="center">53 – 67</p>	

WMH have been a market leader in power transmission component design and manufacture for over 50 years.

Our professional sales team and technical support staff are dedicated to quality customer service, reliability and product excellence.

With years of commercial experience, ISO 9001/2008 accreditation and a highly skilled workforce from the shop floor through to management, you can be confident in choosing **WMH for all your power transmission needs.**

We hold extensive stock of over £1.5 million at our headquarters in Tamworth, Staffordshire situated on junction 10 of the M42 just north of the N.E.C, Birmingham providing excellent access to the motorway network and our customers.

WMH have extensive knowledge in the selection and manufacture of power transmissions components specifically focusing on:

- Rack and pinion milling & grinding -
- Whirling of leadscrews & nut manufacture -
- Machining & assembly of ballscrew -
- Screw jack & rack jack systems -

Our in-house, fully equipped CNC machine shop and years of industry experience gives us the capability to tailor any products to specific customer requirements – contact our sales team with your requirements.





FlexxPump – 125 / 250

- Automatic re-lubrication unit
- Battery or 24v driven
- Pulse or time controlled
- Single pump body outlet
- For grease up to NLGI class 2
- 125cc or 250cc cartridge size
- 0.15cc volume per cycle
- Up to 14 outlets with distributor
- Switchable 12 / 35 bar (battery)
- Switchable 12 / 50 bar (24v)
- compact and low weight
- Error message feedback to PLC
- Temperature range -20 to +70°C
- IP54 sealed

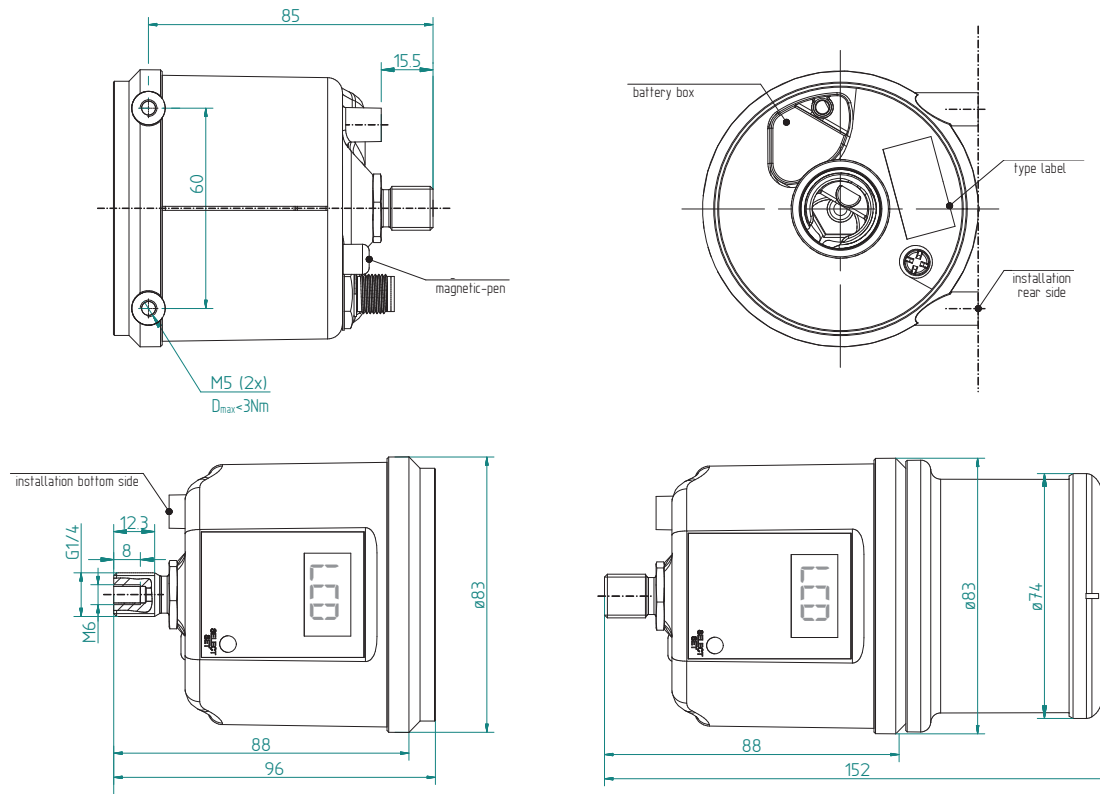


WMH AUTOMATIC LUBRICATION UNITS ARE AVAILABLE SINGULARLY OR PRIMED WITH SELECTED LUBRICANT & ACCESSORIES – PLEASE CONTACT OUR SALES TEAM WITH YOUR REQUIREMENTS



FlexxPump – 125 B

125cc Grease Cartridge – Battery Operated



Model	Control	Programming	Feedback	Supply (V DC)	Lubricant Type	Pump Bodies	Outlets	Max Lubrication Points		Mass (kg)	Part Number
								Splitter	Distributor		
125 B	Time	Integrated	Screen Only	4.5	Grease ≤ NLGI 2	1	1	4	10	0.35	135-125-000
125 B	Time	Integrated	4 Pole M12	4.5	Grease ≤ NLGI 2	1	1	4	10	0.35	135-125-010

Parameter	Value
Max Operating Pressure	12 / 35 bar (switchable)
Operating Temperature	-20 °C up to +70°C
Volume per Pump Operation	0.15 cc
Pump Operations per Cycle	1 / 2 / 10
Pump Ops per 125 Cartridge	~ 830
Pump Ops per 250 Cartridge	N/A For Battery Type
Feedback Connection	4 Pole M12 x 1
Housing Material	PA 6.6 GF 30 / POM
Sealing Protection	IP54

Replacement Battery	Part Number
Alkaline 4.5V DC	134-002-025
Lithium 4.5V DC	134-002-026

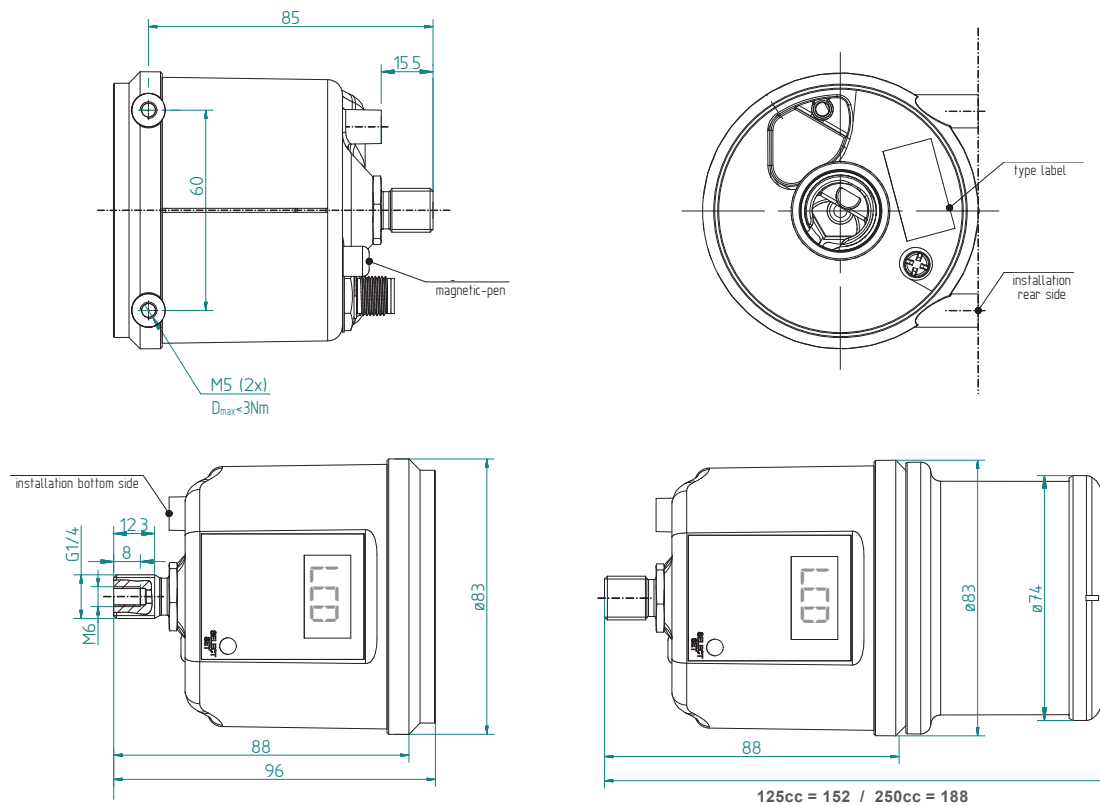
NOTE: Cartridges sold separately
Please see page 53 onward

WMH AUTOMATIC LUBRICATION UNITS ARE AVAILABLE SINGULARLY OR PRIMED WITH SELECTED LUBRICANT & ACCESSORIES – PLEASE CONTACT OUR SALES TEAM WITH YOUR REQUIREMENTS



FlexxPump – 125 & 125 DLS

125cc or 250cc Grease Cartridge – 24V DC



Model	Control	Programming	Feedback	Supply (V DC)	Lubricant Type	Pump Bodies	Outlets	Max Lubrication Points		Mass (kg)	Part Number
								Splitter	Distributor		
125	Time	Integrated	4 Pole M12	24	Grease ≤ NLGI 2	1	1	4	14	0.35	135-125-100
125 DLS	Pulse	External PLC	4 Pole M12	24	Grease ≤ NLGI 2	1	1	4	14	0.35	135-125-210

Parameter	Value
Max Operating Pressure	12 / 50 bar (switchable)
Operating Temperature	-20 °C up to +70°C
Volume per Pump Operation	0.15 cc
Pump Operations per Cycle	1 / 2 / 10
Pump Ops per 125 Cartridge	~ 830
Pump Ops per 250 Cartridge	~ 1660
Feedback Connection	4 Pole M12 x 1
Housing Material	PA 6.6 GF 30 / POM
Sealing Protection	IP54

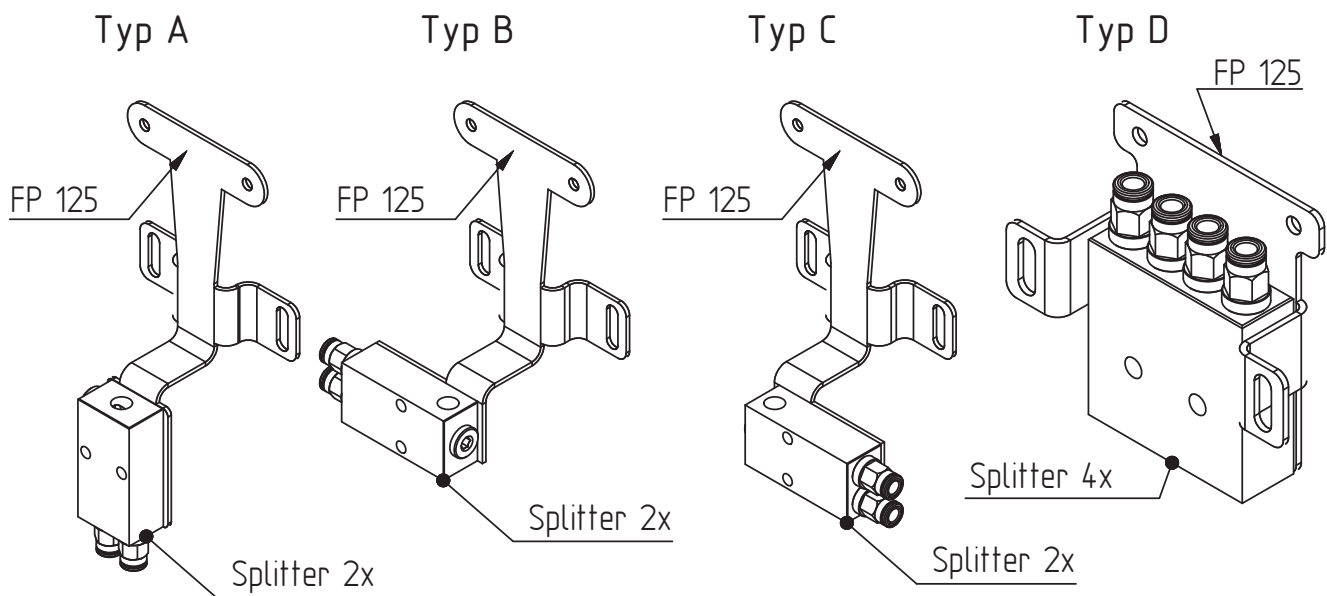
NOTE: Cartridges sold separately
Please see page 53 onward

WMH AUTOMATIC LUBRICATION UNITS ARE AVAILABLE SINGULARLY OR PRIMED WITH SELECTED LUBRICANT & ACCESSORIES – PLEASE CONTACT OUR SALES TEAM WITH YOUR REQUIREMENTS



Mounting Brackets

For FlexxPump 125 & Splitter – Ø6x4 Tubes



Type	Splitter Layout	Material	Splitter Type (Sold Separately)		FlexxPump Compatibility		Bracket Part Number
			Number of Outlets	Splitter Part Number	125 B	125 & 125 DLS	
A	Below & Down	Stainless Steel	2	134-005-002	Y	Y	134-200-002
			3	134-005-003	Y	Y	134-200-003
			4	134-005-004	Y	Y	134-200-004
B	Below & Left	Stainless Steel	2	134-005-002	Y	Y	134-201-002
			3	134-005-003	Y	Y	134-201-003
			4	134-005-004	Y	Y	134-201-004
C	Below & Right	Stainless Steel	2	134-005-002	Y	Y	134-202-002
			3	134-005-003	Y	Y	134-202-003
			4	134-005-004	Y	Y	134-202-004
D	Behind & Up	Stainless Steel	2	134-005-002	Y	Y	134-203-002
			3	134-005-003	Y	Y	134-203-003
			4	134-005-004	Y	Y	134-203-004

NOTE: Suits Ø6x4mm tubes only

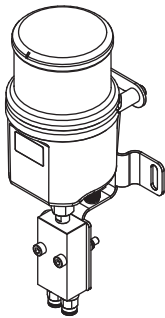
WMH AUTOMATIC LUBRICATION UNITS ARE AVAILABLE SINGULARLY OR PRIMED WITH SELECTED LUBRICANT & ACCESSORIES – PLEASE CONTACT OUR SALES TEAM WITH YOUR REQUIREMENTS



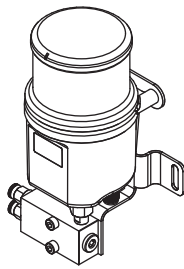
FlexxPump & Splitter Sets

FlexxPump 125, Bracket, Splitter & Fittings

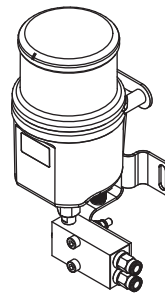
Typ A



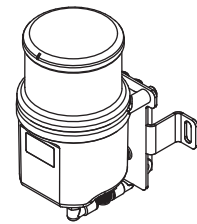
Typ B



Typ C



Typ D



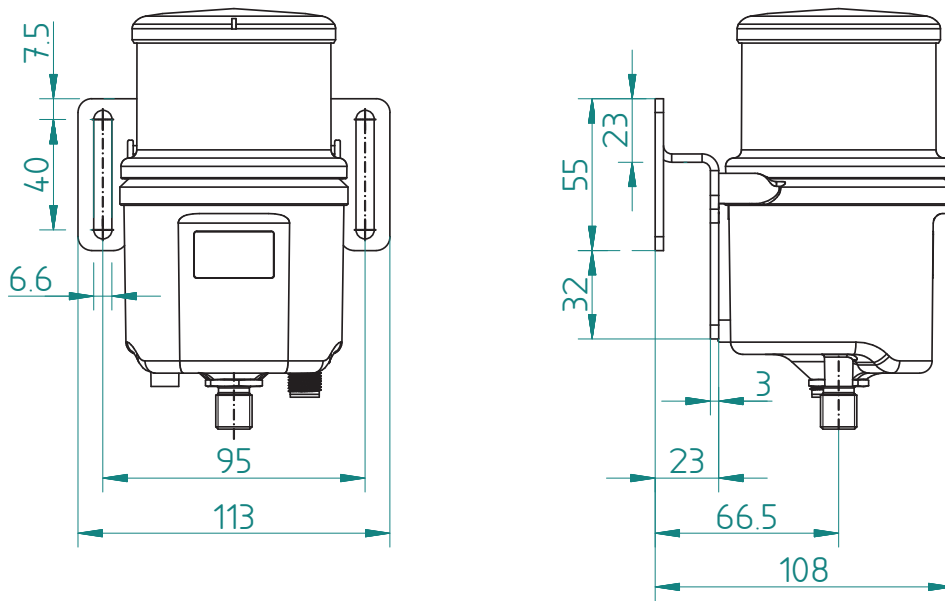
NOTE: Suits Ø6x4mm tubes only

Type	FlexxPump	Number of Outlets	Splitter Number	Bracket Number	Full Set Part Number
A	125 B - Battery Driven - Time Controlled (135-125-000)	2	134-005-002	134-200-002	139-000-002
		3	134-005-003	134-200-003	139-000-003
		4	134-005-004	134-200-004	139-000-004
	125 - 24V Driven - Time Controlled (135-125-100)	2	134-005-002	134-200-002	139-100-002
		3	134-005-003	134-200-003	139-100-003
		4	134-005-004	134-200-004	139-100-004
	125 DLS - 24V Driven - Pulse Controlled (135-125-210)	2	134-005-002	134-200-002	139-200-002
		3	134-005-003	134-200-003	139-200-003
		4	134-005-004	134-200-004	139-200-004
B	125 B - Battery Driven - Time Controlled (135-125-000)	2	134-005-002	134-201-002	139-001-002
		3	134-005-003	134-201-003	139-001-003
		4	134-005-004	134-201-004	139-001-004
	125 - 24V Driven - Time Controlled (135-125-100)	2	134-005-002	134-201-002	139-101-002
		3	134-005-003	134-201-003	139-101-003
		4	134-005-004	134-201-004	139-101-004
	125 DLS - 24V Driven - Pulse Controlled (135-125-210)	2	134-005-002	134-201-002	139-201-002
		3	134-005-003	134-201-003	139-201-003
		4	134-005-004	134-201-004	139-201-004
C	125 B - Battery Driven - Time Controlled (135-125-000)	2	134-005-002	134-202-002	139-002-002
		3	134-005-003	134-202-003	139-002-003
		4	134-005-004	134-202-004	139-002-004
	125 - 24V Driven - Time Controlled (135-125-100)	2	134-005-002	134-202-002	139-102-002
		3	134-005-003	134-202-003	139-102-003
		4	134-005-004	134-202-004	139-102-004
	125 DLS - 24V Driven - Pulse Controlled (135-125-210)	2	134-005-002	134-202-002	139-202-002
		3	134-005-003	134-202-003	139-202-003
		4	134-005-004	134-202-004	139-202-004
D	125 B - Battery Driven - Time Controlled (135-125-000)	2	134-005-002	134-203-002	139-003-002
		3	134-005-003	134-203-003	139-003-003
		4	134-005-004	134-203-004	139-003-004
	125 24V Driven - Time Controlled (135-125-100)	2	134-005-002	134-203-002	139-103-002
		3	134-005-003	134-203-003	139-103-003
		4	134-005-004	134-203-004	139-103-004
	125 DLS - 24V Driven - Pulse Controlled (135-125-210)	2	134-005-002	134-203-002	139-203-002
		3	134-005-003	134-203-003	139-203-003
		4	134-005-004	134-203-004	139-203-004



Mounting Brackets

For FlexxPump 125 – All Types



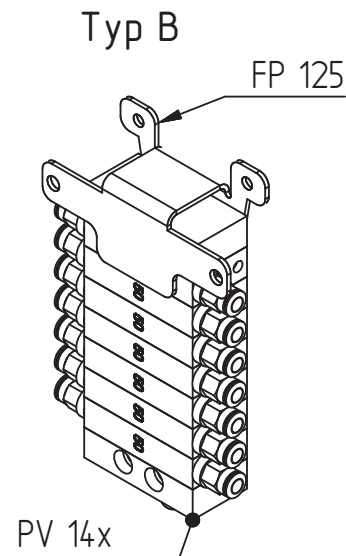
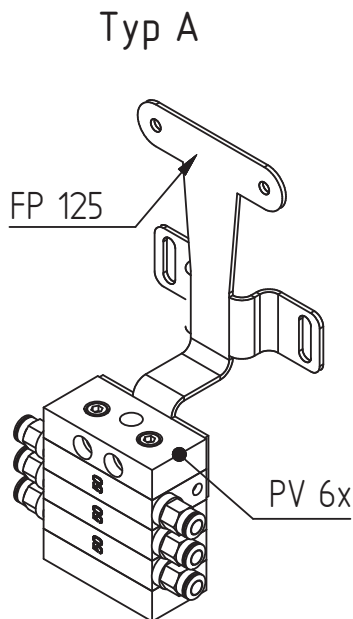
Description	Material	Part Number
Standard Wall Mount Bracket Suitable for All Types of FlexxPump 125	Stainless Steel	134-200-000
Light Weight Type Wall Mount Bracket for All Types of FlexxPump 125	Aluminium	134-210-000

WMH AUTOMATIC LUBRICATION UNITS ARE AVAILABLE SINGULARLY OR PRIMED WITH SELECTED LUBRICANT & ACCESSORIES – PLEASE CONTACT OUR SALES TEAM WITH YOUR REQUIREMENTS



Mounting Brackets

For FlexxPump 125 & Distributor – Ø6x4 Tubes



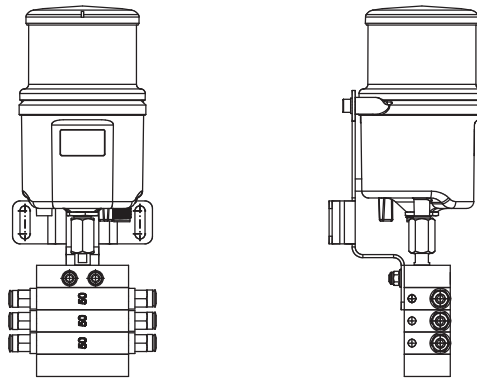
NOTE: Suits Ø6x4mm tubes only

Type	Distributor Layout	Bracket Material	Progressive Distributor Type (Sold Separately)		FlexxPump Compatibility		Bracket Part Number
			Number of Outlets	Distributor Part Number	125 B	125 & 125 DLS	
A	Below	Stainless Steel	2	138-000-002	Y	Y	134-200-102
			3	138-000-003	Y	Y	134-200-103
			4	138-000-004	Y	Y	134-200-104
			5	138-000-005	Y	Y	134-200-105
			6	138-000-006	Y	Y	134-200-106
			7	138-000-007	Y	Y	134-200-107
			8	138-000-008	Y	Y	134-200-108
			9	138-000-009	Y	Y	134-200-109
			10	138-000-010	Y	Y	134-200-110
			11	138-000-011	N	Y	134-200-111
			12	138-000-012	N	Y	134-200-112
			13	138-000-013	N	Y	134-200-113
			14	138-000-014	N	Y	134-200-114
			B	Behind	Stainless Steel	2	138-000-002
3	138-000-003	Y				Y	134-203-103
4	138-000-004	Y				Y	134-203-104
5	138-000-005	Y				Y	134-203-105
6	138-000-006	Y				Y	134-203-106
7	138-000-007	Y				Y	134-203-107
8	138-000-008	Y				Y	134-203-108
9	138-000-009	Y				Y	134-203-109
10	138-000-010	Y				Y	134-203-110
11	138-000-011	N				Y	134-203-111
12	138-000-012	N				Y	134-203-112
13	138-000-013	N				Y	134-203-113
14	138-000-014	N				Y	134-203-114



FlexxPump & Distributor Sets

FlexxPump 125, Bracket, Distributor & Fittings



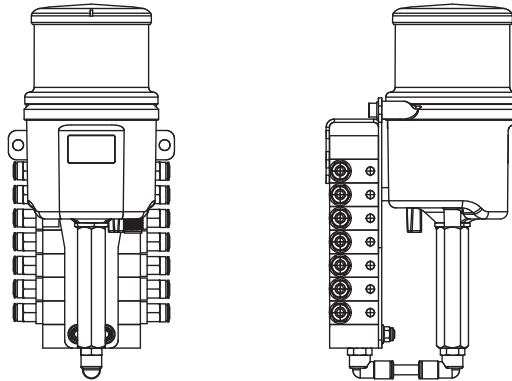
NOTE: Suits Ø6x4mm tubes only

Type	FlexxPump	Number of Outlets	Distributor Number	Bracket Number	Full Set Part Number
A Below	125 B - Battery Driven - Time Controlled (135-125-000)	2	138-000-002	134-200-102	139-000-102
		3	138-000-003	134-200-103	139-000-103
		4	138-000-004	134-200-104	139-000-104
		5	138-000-005	134-200-105	139-000-105
		6	138-000-006	134-200-106	139-000-106
		7	138-000-007	134-200-107	139-000-107
		8	138-000-008	134-200-108	139-000-108
		9	138-000-009	134-200-109	139-000-109
		10	138-000-010	134-200-110	139-000-110
		125 - 24V Driven - Time Controlled (135-125-100)	2	138-000-002	134-200-102
	3		138-000-003	134-200-103	139-100-103
	4		138-000-004	134-200-104	139-100-104
	5		138-000-005	134-200-105	139-100-105
	6		138-000-006	134-200-106	139-100-106
	7		138-000-007	134-200-107	139-100-107
	8		138-000-008	134-200-108	139-100-108
	9		138-000-009	134-200-109	139-100-109
	10		138-000-010	134-200-110	139-100-110
	11		138-000-011	134-200-111	139-100-111
	12		138-000-012	134-200-112	139-100-112
	13		138-000-013	134-200-113	139-100-113
	14		138-000-014	134-200-114	139-100-114
	125 DLS - 24V Driven - Pulse Controlled (135-125-210)		2	138-000-002	134-200-102
		3	138-000-003	134-200-103	139-200-103
		4	138-000-004	134-200-104	139-200-104
		5	138-000-005	134-200-105	139-200-105
		6	138-000-006	134-200-106	139-200-106
		7	138-000-007	134-200-107	139-200-107
		8	138-000-008	134-200-108	139-200-108
		9	138-000-009	134-200-109	139-200-109
		10	138-000-010	134-200-110	139-200-110
		11	138-000-011	134-200-111	139-200-111
	12	138-000-012	134-200-112	139-200-112	
13	138-000-013	134-200-113	139-200-113		
14	138-000-014	134-200-114	139-200-114		



FlexxPump & Distributor Sets

FlexxPump 125, Bracket, Distributor & Fittings

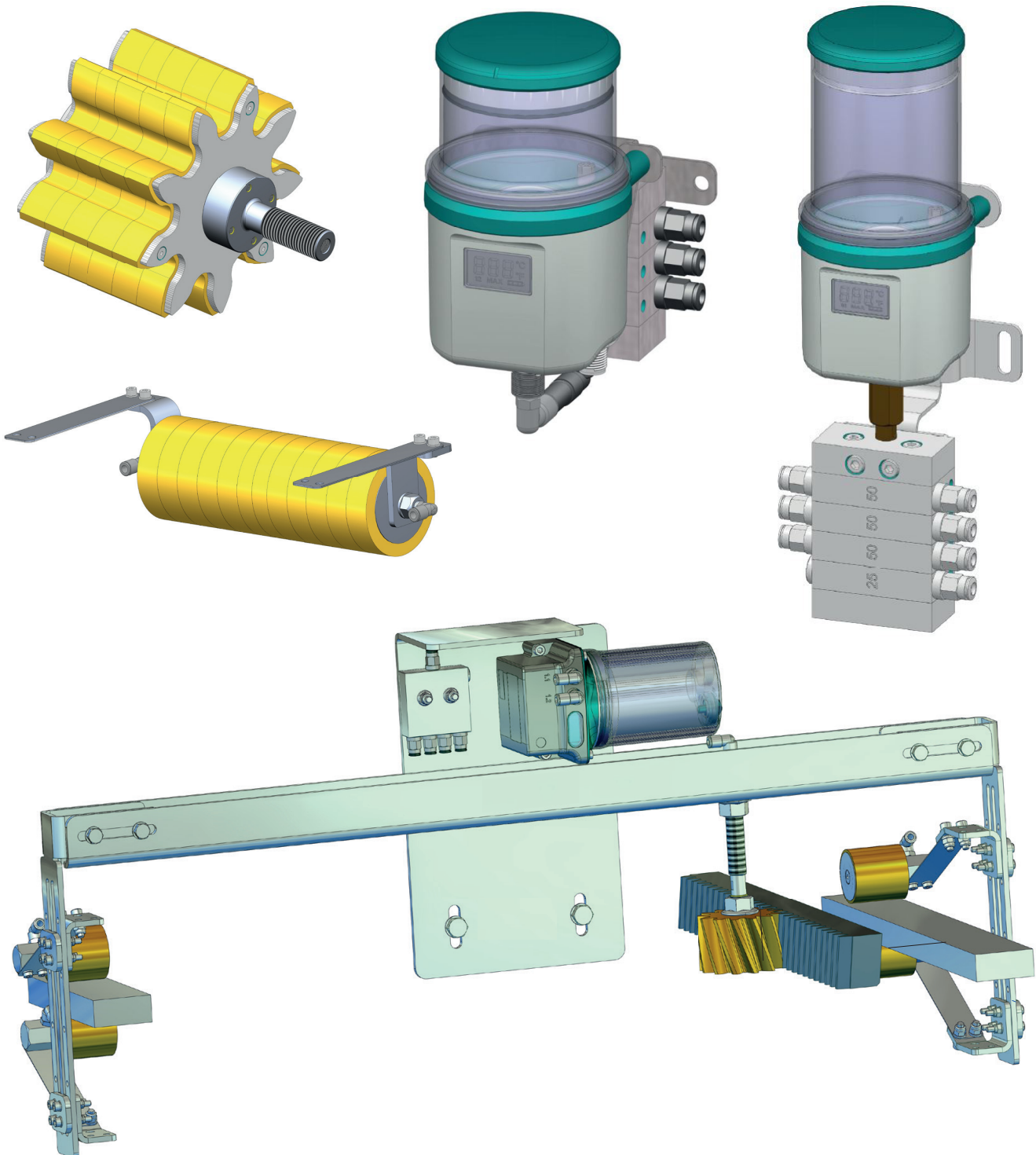


NOTE: Suits Ø6x4mm tubes only

Type	FlexxPump	Number of Outlets	Distributor Number	Bracket Number	Full Set Part Number
B Behind	125 B - Battery Driven - Time Controlled (135-125-000)	2	138-000-002	134-203-102	139-003-102
		3	138-000-003	134-203-103	139-003-103
		4	138-000-004	134-203-104	139-003-104
		5	138-000-005	134-203-105	139-003-105
		6	138-000-006	134-203-106	139-003-106
		7	138-000-007	134-203-107	139-003-107
		8	138-000-008	134-203-108	139-003-108
		9	138-000-009	134-203-109	139-003-109
		10	138-000-010	134-203-110	139-003-110
		125 - 24V Driven - Time Controlled (135-125-100)	2	138-000-002	134-203-102
	3		138-000-003	134-203-103	139-103-103
	4		138-000-004	134-203-104	139-103-104
	5		138-000-005	134-203-105	139-103-105
	6		138-000-006	134-203-106	139-103-106
	7		138-000-007	134-203-107	139-103-107
	8		138-000-008	134-203-108	139-103-108
	9		138-000-009	134-203-109	139-103-109
	10		138-000-010	134-203-110	139-103-110
	11		138-000-011	134-203-111	139-103-111
	125 DLS - 24V Driven - Pulse Controlled (135-125-210)	12	138-000-012	134-203-112	139-103-112
		13	138-000-013	134-203-113	139-103-113
		14	138-000-014	134-203-114	139-103-114
		2	138-000-002	134-203-102	139-203-102
		3	138-000-003	134-203-103	139-203-103
		4	138-000-004	134-203-104	139-203-104
		5	138-000-005	134-203-105	139-203-105
		6	138-000-006	134-203-106	139-203-106
		7	138-000-007	134-203-107	139-203-107
		8	138-000-008	134-203-108	139-203-108
		9	138-000-009	134-203-109	139-203-109
		10	138-000-010	134-203-110	139-203-110
		11	138-000-011	134-203-111	139-203-111
	12	138-000-012	134-203-112	139-203-112	
13	138-000-013	134-203-113	139-203-113		
14	138-000-014	134-203-114	139-203-114		



Accessories



WMH AUTOMATIC LUBRICATION UNITS ARE AVAILABLE SINGULARLY OR PRIMED WITH SELECTED LUBRICANT & ACCESSORIES - PLEASE CONTACT OUR SALES TEAM WITH YOUR REQUIREMENTS



FlexxPump – 400 / 500

- Automatic re-lubrication unit
- Battery or 24v driven
- Pulse or time controlled
- 1 or 2 pump bodies up to 4 outlets
- For grease or Oil up to NLGI class 3
- 400cc cartridge or 500cc tank size
- 0.15cc volume per cycle
- Up to 16 outlets with splitters
- More outlets with distributors
- Up to 70 bar operating pressure
- 350 mA maximum consumption
- Error message feedback to PLC
- Temperature range -20 to +70°C
- IP54 (plastic) or IP67 (metal) sealed

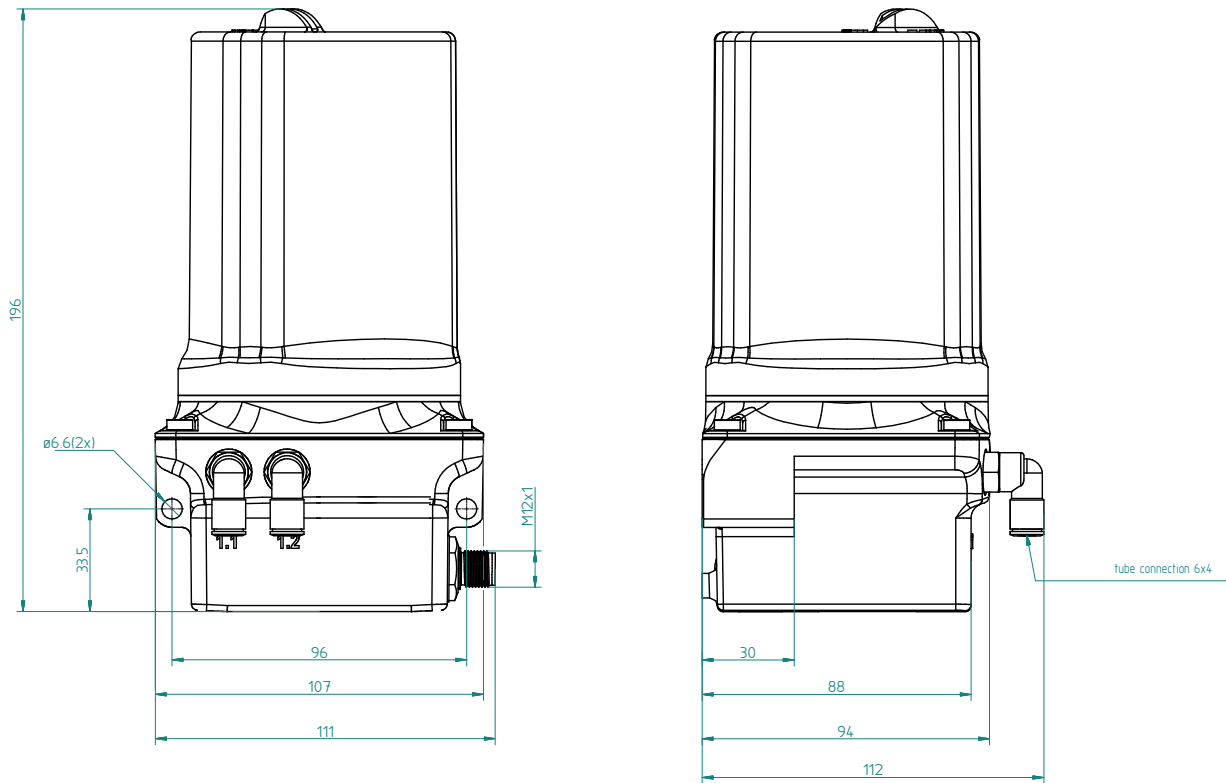


WMH AUTOMATIC LUBRICATION UNITS ARE AVAILABLE SINGULARLY OR PRIMED WITH SELECTED LUBRICANT & ACCESSORIES - PLEASE CONTACT OUR SALES TEAM WITH YOUR REQUIREMENTS



FlexxPump – 400 B

400cc Grease Cartridge – Battery Operated



Model	Control	Programming	Supply (V DC)	Lubricant Type	Pump Bodies	Outlets	Max Lubrication Points		Mass (kg)	Feed Back	Seal Rating	Part Number
							Splitter	Distributor				
401 B	Time	Integrated	3	Grease ≤ NLGI 3	1	1	4	14	1.1	Screen Only	IP54	135-140-000
											IP67	135-140-001
										4 Pole M12	IP54	135-140-010
											IP67	135-140-011
402 B	Time	Integrated	3	Grease ≤ NLGI 3	1	2	8	28	1.1	Screen Only	IP54	135-240-000
											IP67	135-240-001
										4 Pole M12	IP54	135-240-010
											IP67	135-240-011

Parameter	Value
Max Operating Pressure	70 bar
Operating Temperature	-20 °C up to +70°C
Volume per Pump Operation	0.15 cc
Pump Operations per Cycle	1 / 2 / 30
Pump Ops per 400 Cartridge	~ 2660
Feedback Connection	4 Pole M12 x 1
Housing Material	Zinc Polyamide

Replacement Battery	Part Number
Alkaline 3.0V DC	134-002-024
Lithium 3.0V DC	134-002-004

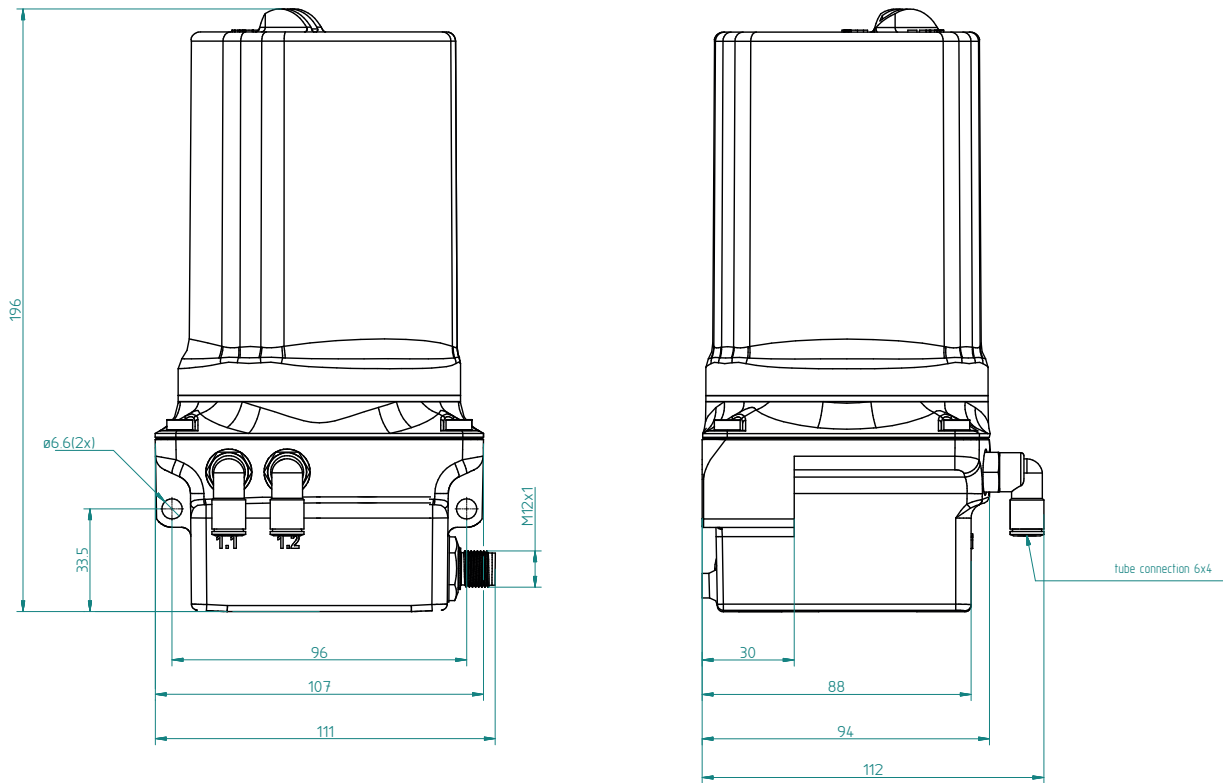
NOTE: Cartridges sold separately
Please see page 53 onward

WMH AUTOMATIC LUBRICATION UNITS ARE AVAILABLE SINGULARLY OR PRIMED WITH SELECTED LUBRICANT & ACCESSORIES – PLEASE CONTACT OUR SALES TEAM WITH YOUR REQUIREMENTS



FlexxPump – 500 B

500cc Direct Oil Filled – Battery Operated



Model	Control	Programming	Supply (V DC)	Lubricant Type	Pump Bodies	Outlets	Max Lubrication Points		Mass (kg)	Feed Back	Seal Rating	Part Number
							Splitter	Distributor				
501 B	Time	Integrated	3	Grease ≤ NLGI 3	1	1	4	14	1.1	Screen Only	IP54	135-150-000
											IP67	135-150-001
										4 Pole M12	IP54	135-150-010
											IP67	135-150-011
502 B	Time	Integrated	3	Grease ≤ NLGI 3	1	2	8	28	1.1	Screen Only	IP54	135-250-000
											IP67	135-250-001
										4 Pole M12	IP54	135-250-010
											IP67	135-250-011

Parameter	Value
Max Operating Pressure	70 bar
Operating Temperature	-20 °C up to +70°C
Volume per Pump Operation	0.15 cc
Pump Operations per Cycle	1 / 2 / 30
Pump Ops per 500 Reservoir	~ 3330
Feedback Connection	4 Pole M12 x 1
Housing Material	Zinc Polyamide

Replacement Battery	Part Number
Alkaline 3.0V DC	134-002-024
Lithium 3.0V DC	134-002-004

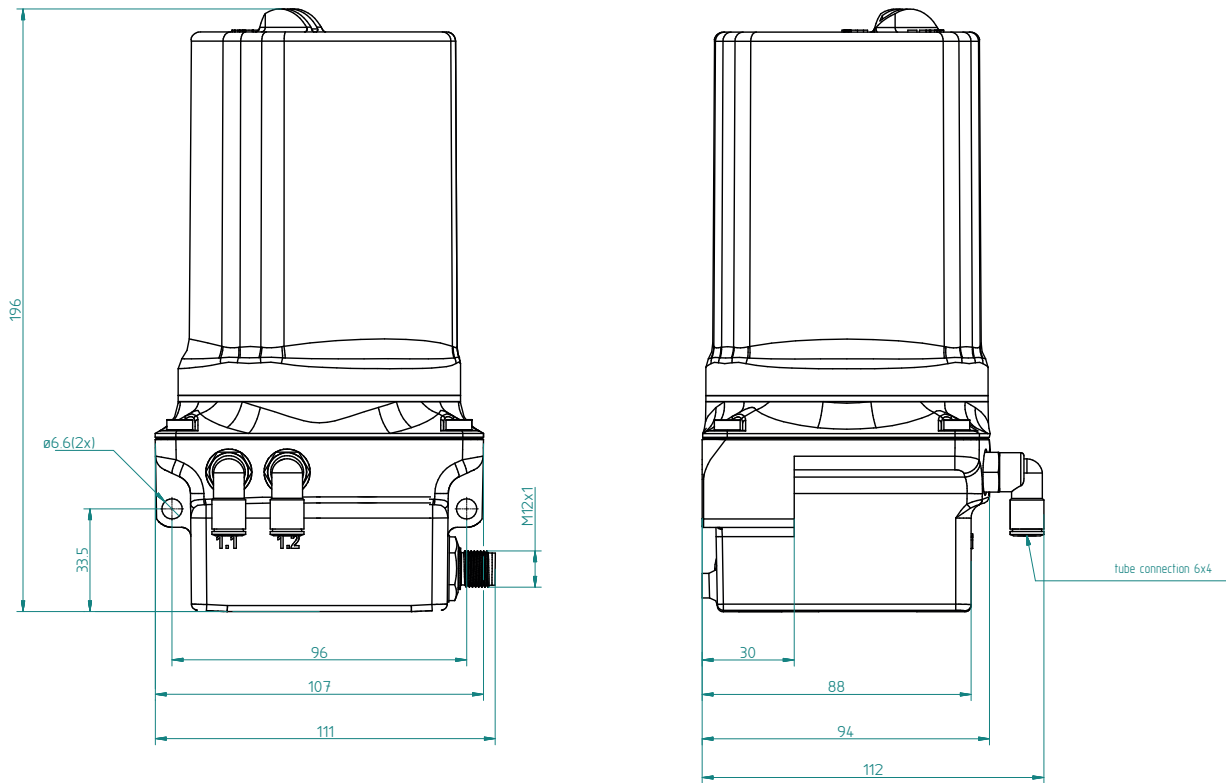
NOTE: Cartridges sold separately
Please see page 53 onward

WMH AUTOMATIC LUBRICATION UNITS ARE AVAILABLE SINGULARLY OR PRIMED WITH SELECTED LUBRICANT & ACCESSORIES – PLEASE CONTACT OUR SALES TEAM WITH YOUR REQUIREMENTS



FlexxPump – 400

400cc Grease Cartridge – 24V DC



Model	Control	Programming	Supply (V DC)	Lubricant Type	Pump Bodies	Outlets	Max Lubrication Points		Mass (kg)	Feed Back	Seal Rating	Part Number
							Splitter	Distributor				
401	Time	Integrated	24	Grease \leq NLGI 3	1	1	4	14	1.1	4 Pole M12	IP54	135-140-100
											IP67	135-140-101
402	Time	Integrated	24	Grease \leq NLGI 3	1	2	8	28	1.1	4 Pole M12	IP54	135-240-100
											IP67	135-240-101

Parameter	Value
Max Operating Pressure	70 bar
Operating Temperature	-20 °C up to +70°C
Volume per Pump Operation	0.15 cc
Pump Operations per Cycle	1 / 2 / 30
Pump Ops per 400 Cartridge	~ 2660
Feedback Connection	4 Pole M12 x 1
Housing Material	Zinc Polyamide

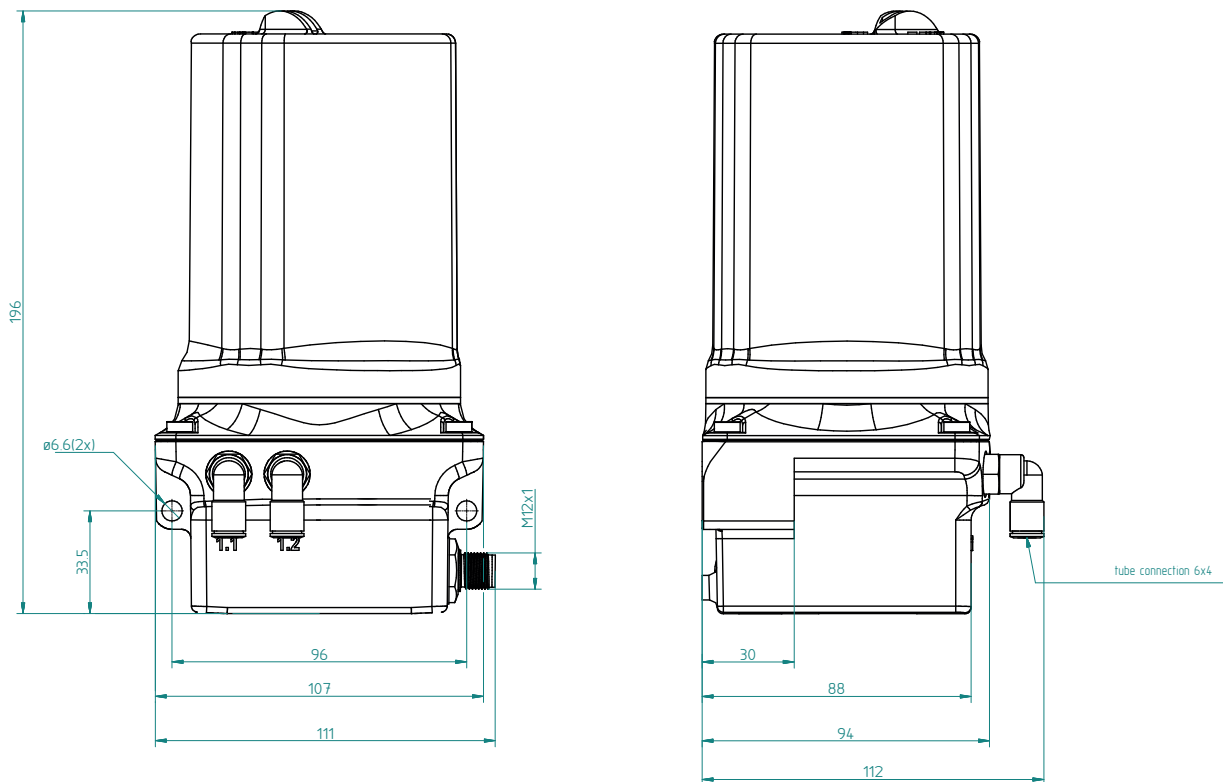
NOTE: Cartridges sold separately
Please see page 53 onward

WMH AUTOMATIC LUBRICATION UNITS ARE AVAILABLE SINGULARLY OR PRIMED WITH SELECTED LUBRICANT & ACCESSORIES – PLEASE CONTACT OUR SALES TEAM WITH YOUR REQUIREMENTS



FlexxPump – 500

500cc Direct Oil Filled – 24V DC



Model	Control	Programming	Supply (V DC)	Lubricant Type	Pump Bodies	Outlets	Max Lubrication Points		Mass (kg)	Feed Back	Seal Rating	Part Number
							Splitter	Distributor				
501	Time	Integrated	24	Grease ≤ NLGI 3	1	1	4	14	1.1	4 Pole M12	IP54	135-150-100
											IP67	135-150-101
502	Time	Integrated	24	Grease ≤ NLGI 3	1	2	8	28	1.1	4 Pole M12	IP54	135-250-100
											IP67	135-250-101

Parameter	Value
Max Operating Pressure	70 bar
Operating Temperature	-20 °C up to +70°C
Volume per Pump Operation	0.15 cc
Pump Operations per Cycle	1 / 2 / 30
Pump Ops per 500 Reservoir	~ 3330
Feedback Connection	4 Pole M12 x 1
Housing Material	Zinc Polyamide

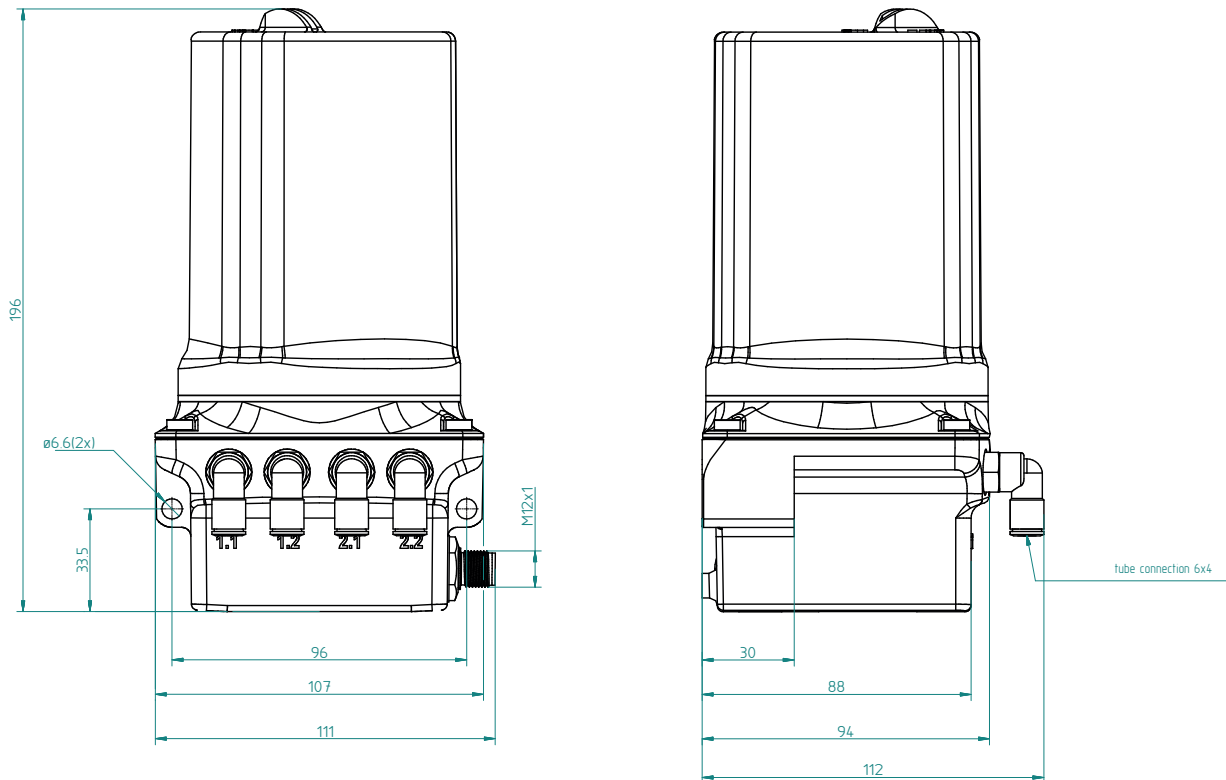
NOTE: Cartridges sold separately
Please see page 53 onward

WMH AUTOMATIC LUBRICATION UNITS ARE AVAILABLE SINGULARLY OR PRIMED WITH SELECTED LUBRICANT & ACCESSORIES – PLEASE CONTACT OUR SALES TEAM WITH YOUR REQUIREMENTS



FlexxPump – 400 DLS

400cc Grease Cartridge – 24V DC PLC Driven



Model	Control	Programming	Feed Back	Supply (V DC)	Lubricant Type	Mass (kg)	Pump Bodies	Outlets	Layout	Max Lubrication Points		Part Number
										Splitter	Distributor	
401 DLS	Pulse	External PLC	4 Pole M12	24	Grease ≤ NLGI 3	1.1	1	1	1	4	14	135-140-210
402 DLS								2	2	8	28	135-240-210
422 DLS							2	1+1	8	28	135-240-212	
403 DLS							3	1+2	12	42	135-340-210	
404 DLS							4	2+2	16	56	135-440-210	

Parameter	Value
Max Operating Pressure	70 bar
Operating Temperature	-20 °C up to +70 °C
Volume per Pump Operation	0.15 cc
Pump Operations per Cycle	1 / 2 / 30
Pump Ops per 400 Cartridge	~ 2660
Feedback Connection	4 Pole M12 x 1
Housing Material	Zinc Polyamide
Sealing Protection	IP65

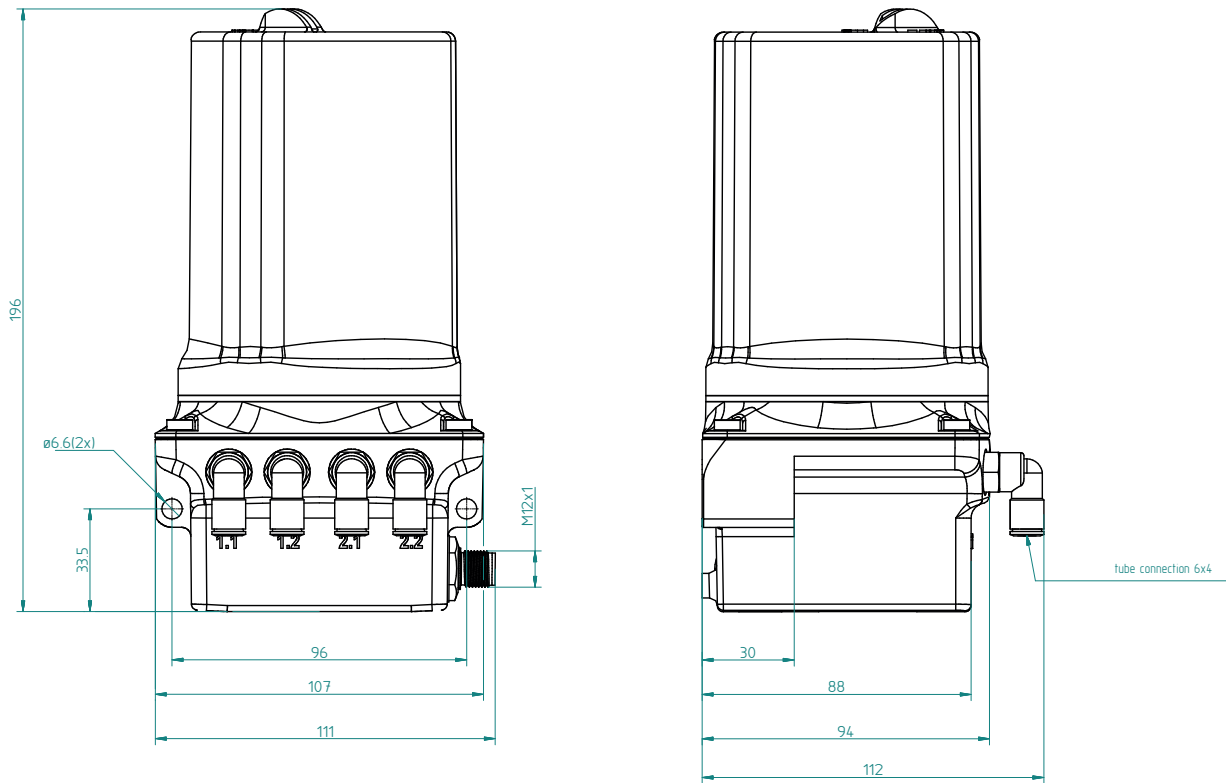
NOTE: Cartridges sold separately
Please see page 53 onward

WMH AUTOMATIC LUBRICATION UNITS ARE AVAILABLE SINGULARLY OR PRIMED WITH SELECTED LUBRICANT & ACCESSORIES – PLEASE CONTACT OUR SALES TEAM WITH YOUR REQUIREMENTS



FlexxPump – 500 DLS

500cc Direct Oil Filled – 24V DC PLC Driven



Model	Control	Programming	Feed Back	Supply (V DC)	Lubricant Type	Mass (kg)	Pump Bodies	Outlets	Layout	Max Lubrication Points		Part Number
										Splitter	Distributor	
501 DLS	Pulse	External PLC	4 Pole M12	24	Grease ≤ NLGI 3	1.1	1	1	1	4	14	135-150-210
502 DLS								2	2	8	28	135-250-210
522 DLS							2	1+1	8	28	135-250-212	
503 DLS							3	1+2	12	42	135-350-210	
504 DLS							4	2+2	16	56	135-450-210	

Parameter	Value
Max Operating Pressure	70 bar
Operating Temperature	-20 °C up to +70°C
Volume per Pump Operation	0.15 cc
Pump Operations per Cycle	1 / 2 / 30
Pump Ops per 500 Reservoir	~ 3330
Feedback Connection	4 Pole M12 x 1
Housing Material	Zinc Polyamide
Sealing Protection	IP65

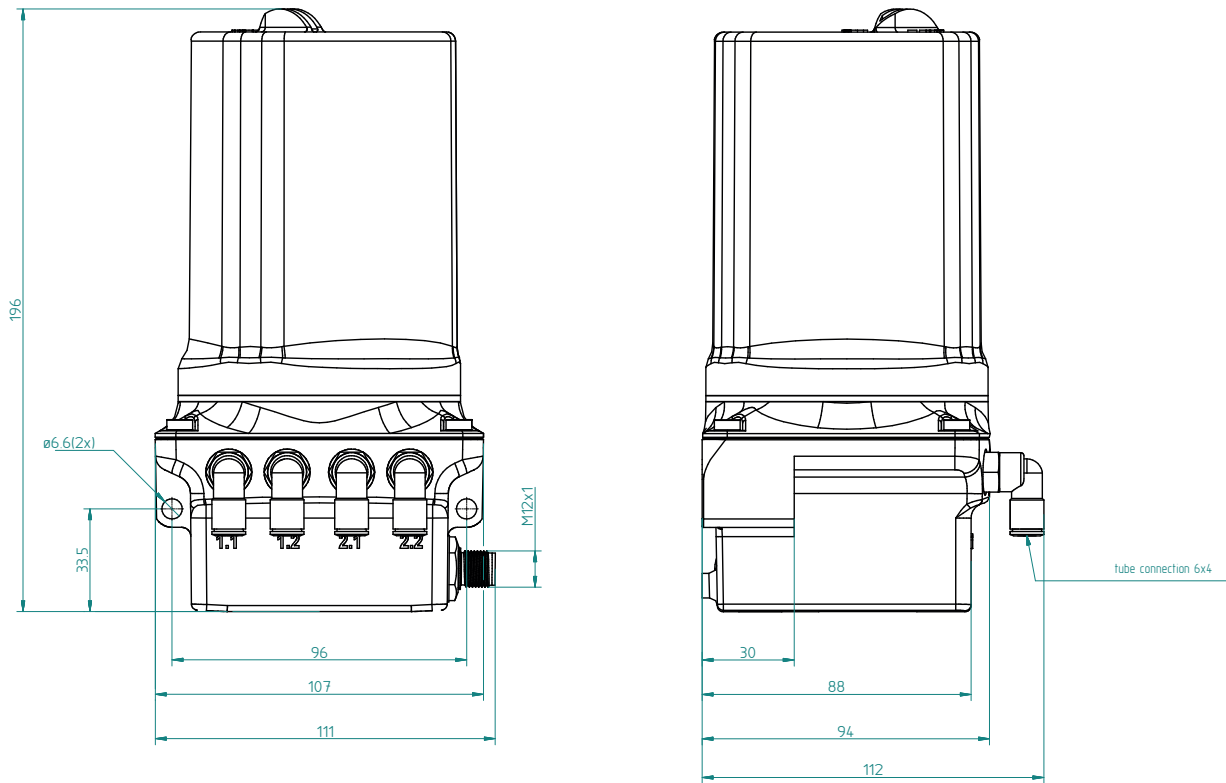
NOTE: Cartridges sold separately
Please see page 53 onward

WMH AUTOMATIC LUBRICATION UNITS ARE AVAILABLE SINGULARLY OR PRIMED WITH SELECTED LUBRICANT & ACCESSORIES – PLEASE CONTACT OUR SALES TEAM WITH YOUR REQUIREMENTS



FlexxPump – 400 FM

400cc Grease Cartridge – 24V DC FlexxMaster



Model	Control	Programming	Feed Back	Supply (V DC)	Lubricant Type	Mass (kg)	Pump Bodies	Outlets	Layout	Max Lubrication Points		Part Number
										Splitter	Distributor	
401 FM	Pulse	FlexxMaster Dedicated Control Unit	4 Pole M12	24	Grease ≤ NLGI 3	1.1	1	1	1	4	14	135-140-200
402 FM								2	2	8	28	135-240-200
422 FM							2	2	1+1	8	28	135-240-202
403 FM								3	1+2	12	42	135-340-200
404 FM								4	2+2	16	56	135-440-200

Parameter	Value
Max Operating Pressure	70 bar
Operating Temperature	-20 °C up to +70 °C
Volume per Pump Operation	0.15 cc
Pump Operations per Cycle	1 / 2 / 30
Pump Ops per 400 Cartridge	~ 2660
Feedback Connection	4 Pole M12 x 1
Housing Material	Zinc Polyamide
Sealing Protection	IP65

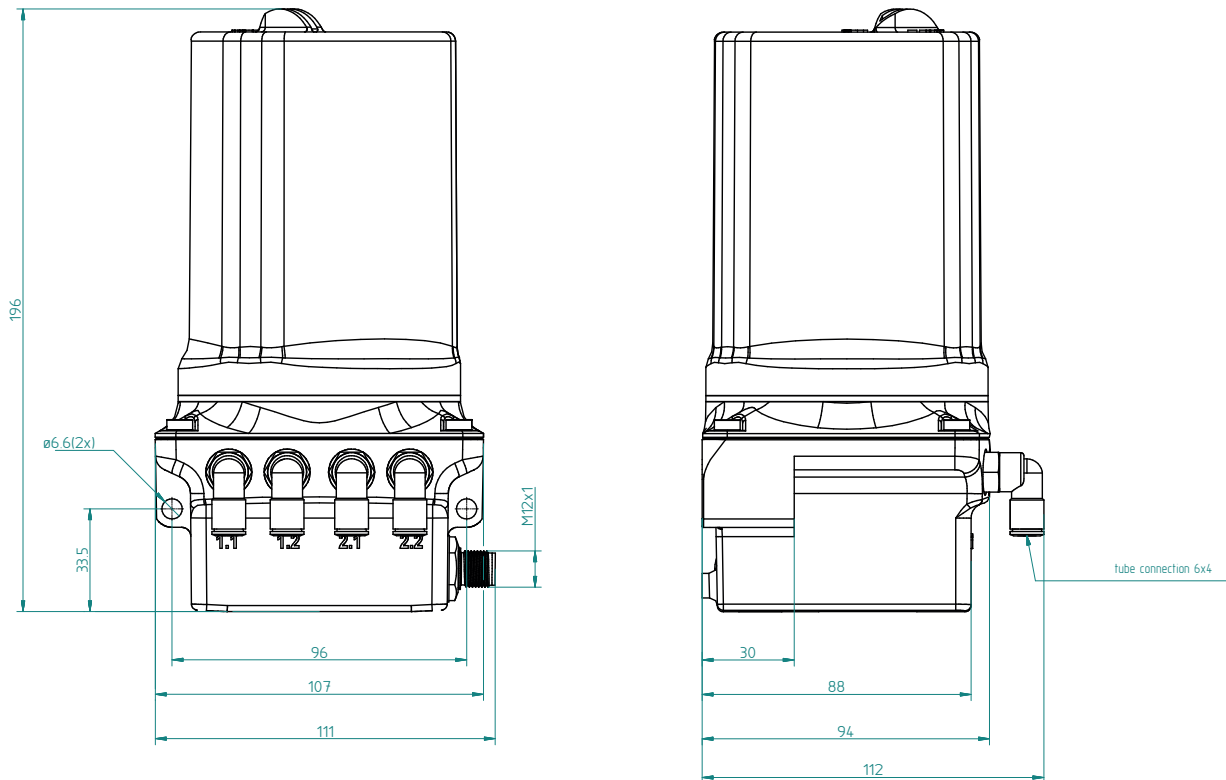
NOTE: Cartridges sold separately
Please see page 53 onward

WMH AUTOMATIC LUBRICATION UNITS ARE AVAILABLE SINGULARLY OR PRIMED WITH SELECTED LUBRICANT & ACCESSORIES – PLEASE CONTACT OUR SALES TEAM WITH YOUR REQUIREMENTS



FlexxPump – 500 FM

500cc Direct Oil Filled – 24V DC FlexxMaster



Model	Control	Programming	Feed Back	Supply (V DC)	Lubricant Type	Mass (kg)	Pump Bodies	Outlets	Layout	Max Lubrication Points		Part Number
										Splitter	Distributor	
501 FM	Pulse	FlexxMaster Dedicated Control Unit	4 Pole M12	24	Grease ≤ NLGI 3	1.1	1	1	1	4	14	135-150-200
502 FM								2	2	8	28	135-250-200
522 FM							2	2	1+1	8	28	135-250-202
503 FM								3	1+2	12	42	135-350-200
504 FM								4	2+2	16	56	135-450-200

Parameter	Value
Max Operating Pressure	70 bar
Operating Temperature	-20 °C up to +70 °C
Volume per Pump Operation	0.15 cc
Pump Operations per Cycle	1 / 2 / 30
Pump Ops per 500 Reservoir	~ 3330
Feedback Connection	4 Pole M12 x 1
Housing Material	Zinc Polyamide
Sealing Protection	IP65

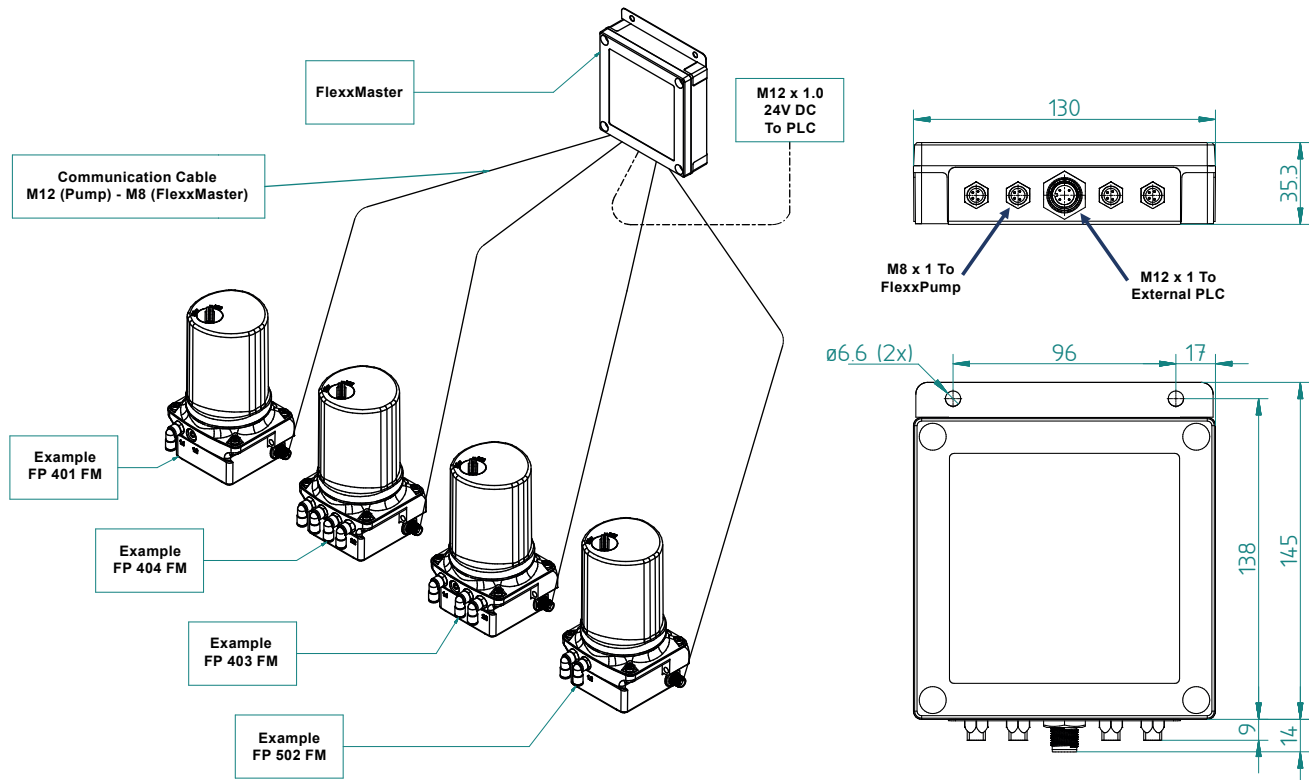
NOTE: Cartridges sold separately
Please see page 53 onward

WMH AUTOMATIC LUBRICATION UNITS ARE AVAILABLE SINGULARLY OR PRIMED WITH SELECTED LUBRICANT & ACCESSORIES – PLEASE CONTACT OUR SALES TEAM WITH YOUR REQUIREMENTS



FlexxMaster

Dedicated Control Unit – For 400 FM & 500 FM



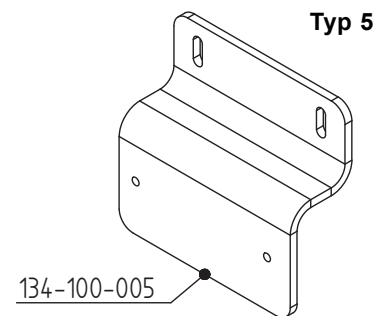
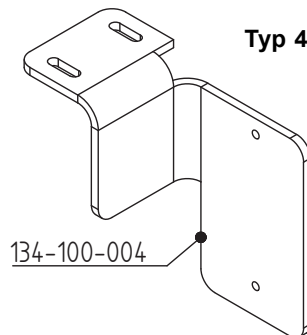
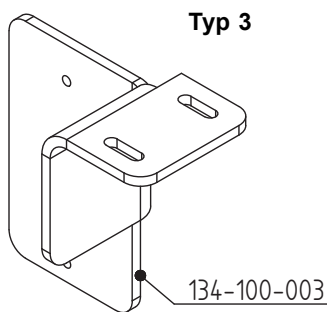
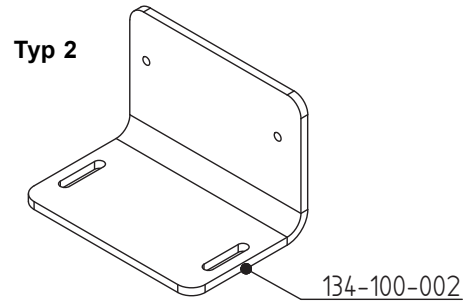
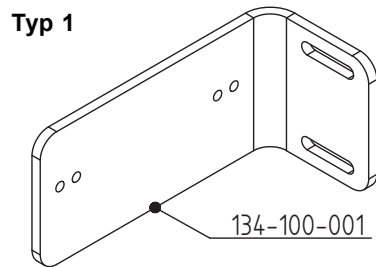
Type	Description	Input Connection	Output Connection	Length	Part Number
FlexxMaster	Dedicated Control Unit	24V DC Supply (M12)	Up to 4x FlexxPump (M8)	-	135-000-200
Connection Cable	FlexxMaster to FlexxPump	4 Pole M12 – Straight	4 Pole M8 – Straight	5 M	134-002-008
				10 M	134-002-009
	FlexxMaster to External PLC	4 Pole M12 – Straight	Open (Bare Wire)	5 M	134-002-003
				10 M	134-002-007
				50 M	134-002-013
				10 M	134-002-015
		4 Pole M12 – 90° + LED	Open (Bare Wire)	5 M	134-002-014
				10 M	134-002-015

WMH AUTOMATIC LUBRICATION UNITS ARE AVAILABLE SINGULARLY OR PRIMED WITH SELECTED LUBRICANT & ACCESSORIES – PLEASE CONTACT OUR SALES TEAM WITH YOUR REQUIREMENTS



Mounting Brackets

For FlexxPump 400 & 500 – All Types



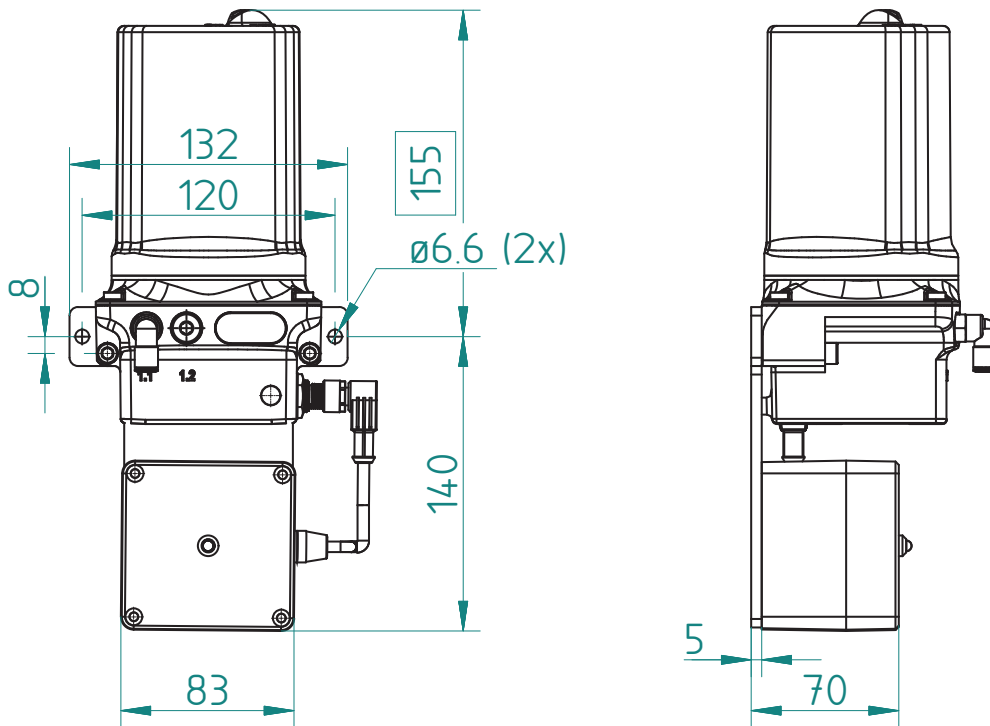
Description	Bracket Material	Bracket Type	Part Number
Mounting Bracket for FlexxPump 400 & 500 – All Types	Stainless Steel	1	134-100-001
		2	134-100-002
		3	134-100-003
		4	134-100-004
		5	134-100-005

WMMH AUTOMATIC LUBRICATION UNITS ARE AVAILABLE SINGULARLY OR PRIMED WITH SELECTED LUBRICANT & ACCESSORIES – PLEASE CONTACT OUR SALES TEAM WITH YOUR REQUIREMENTS



External Battery Box

For FlexxPump 400 B & 500 B



Description	Part Number
External Battery Box with Warning LED - C/w Stainless Steel Bracket and Electrical Connection (Battery Sold Separately)	134-100-006

Additional Accessories	FlexxPump Compatibility	Type	Part Number
Battery for External Battery Box	400 B & 500 B	Alkaline 3.0V DC	134-002-028
		Lithium 3.0V DC	134-002-027
Connection Cable M12 to M12 Inc. LED	400 B Only	5 M Length	134-002-016
		10 M Length	134-002-017

WMH AUTOMATIC LUBRICATION UNITS ARE AVAILABLE SINGULARLY OR PRIMED WITH SELECTED LUBRICANT & ACCESSORIES - PLEASE CONTACT OUR SALES TEAM WITH YOUR REQUIREMENTS



FlexxPump – 1500 / 2000

- Automatic re-lubrication unit
- 24v driven
- Pulse or time controlled
- 1 to 5 pump bodies up to 10 outlets
- For grease or Oil up to NLGI class 3
- 1500cc cartridge or 2000cc tank
- 0.15cc volume per cycle
- Up to 40 outlets with splitters
- More outlets with distributors
- Up to 70 bar operating pressure
- 350 mA maximum consumption
- Error message feedback to PLC
- Temperature range -20 to +70°C
- IP54 sealed

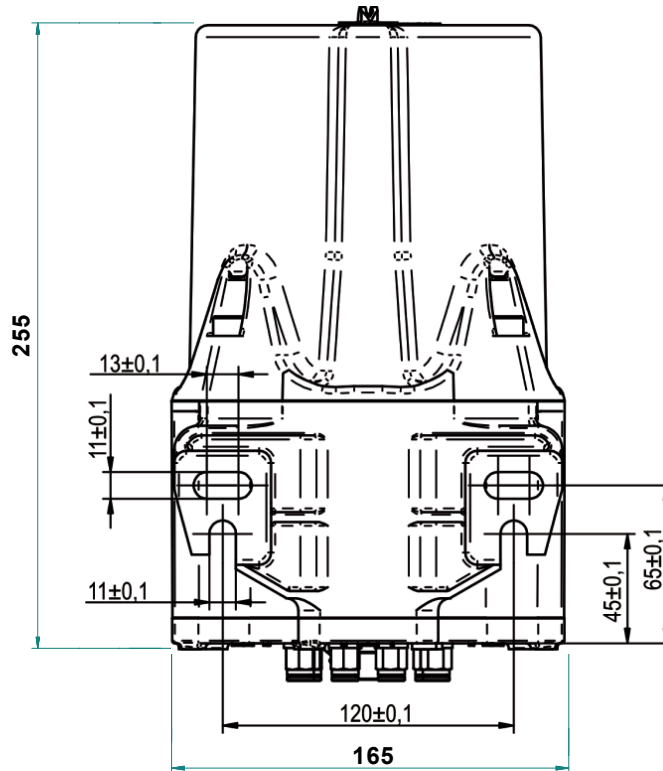


WMH AUTOMATIC LUBRICATION UNITS ARE AVAILABLE SINGULARLY OR PRIMED WITH SELECTED LUBRICANT & ACCESSORIES – PLEASE CONTACT OUR SALES TEAM WITH YOUR REQUIREMENTS



FlexxPump – 1500 DLS

1500cc Grease Cartridge – 24V DC



Model	Control	Programming	Feed Back	Supply (V DC)	Lubricant Type	Mass (kg)	Pump Bodies	Outlets	Max Lubrication Points		Part Number
									Splitter	Distributor	
1502	Time Or Pulse	Integrated Or External PLC	4 Pole M12	24	Grease ≤ NLGI 3	4.0	1	2	8	28	540-202-100
1504							2	4	16	56	540-404-200
1506							3	6	24	84	540-606-300
1508							4	8	32	112	540-808-400
1510							5	10	40	140	541-010-500

Parameter	Value
Max Operating Pressure	70 bar
Operating Temperature	-20 °C up to +70 °C
Volume per Pump Operation	0.15 cc
Pump Operations per Cycle	1
Pump Ops per 1500 Cartridge	~ 10000
Feedback Connection	4 Pole M12 x 1
Housing Material	Aluminium Polyamide
Sealing Protection	IP54

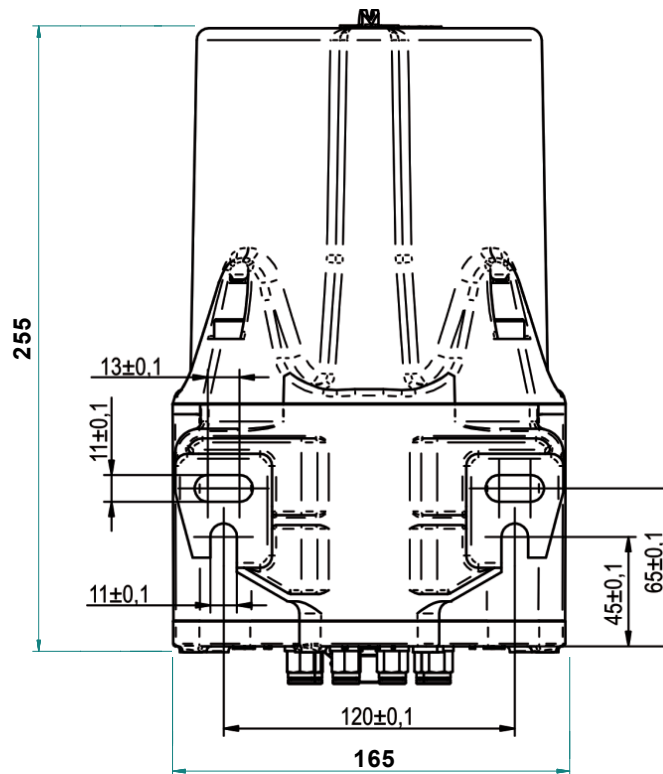
NOTE: Cartridges sold separately
Please see page 53 onward

WMH AUTOMATIC LUBRICATION UNITS ARE AVAILABLE SINGULARLY OR PRIMED WITH SELECTED LUBRICANT & ACCESSORIES – PLEASE CONTACT OUR SALES TEAM WITH YOUR REQUIREMENTS



FlexxPump – 2000 DLS

2000cc Direct Oil Filled – 24V DC



Model	Control	Programming	Feed Back	Supply (V DC)	Lubricant Type	Mass (kg)	Pump Bodies	Outlets	Max Lubrication Points		Part Number
									Splitter	Distributor	
2002	Time Or Pulse	Integrated Or External PLC	4 Pole M12	24	Grease ≤ NLGI 3	4.0	1	2	8	28	550-202-100
2004							2	4	16	56	550-404-200
2006							3	6	24	84	550-606-300
2008							4	8	32	112	550-808-400
2010							5	10	40	140	501-010-500

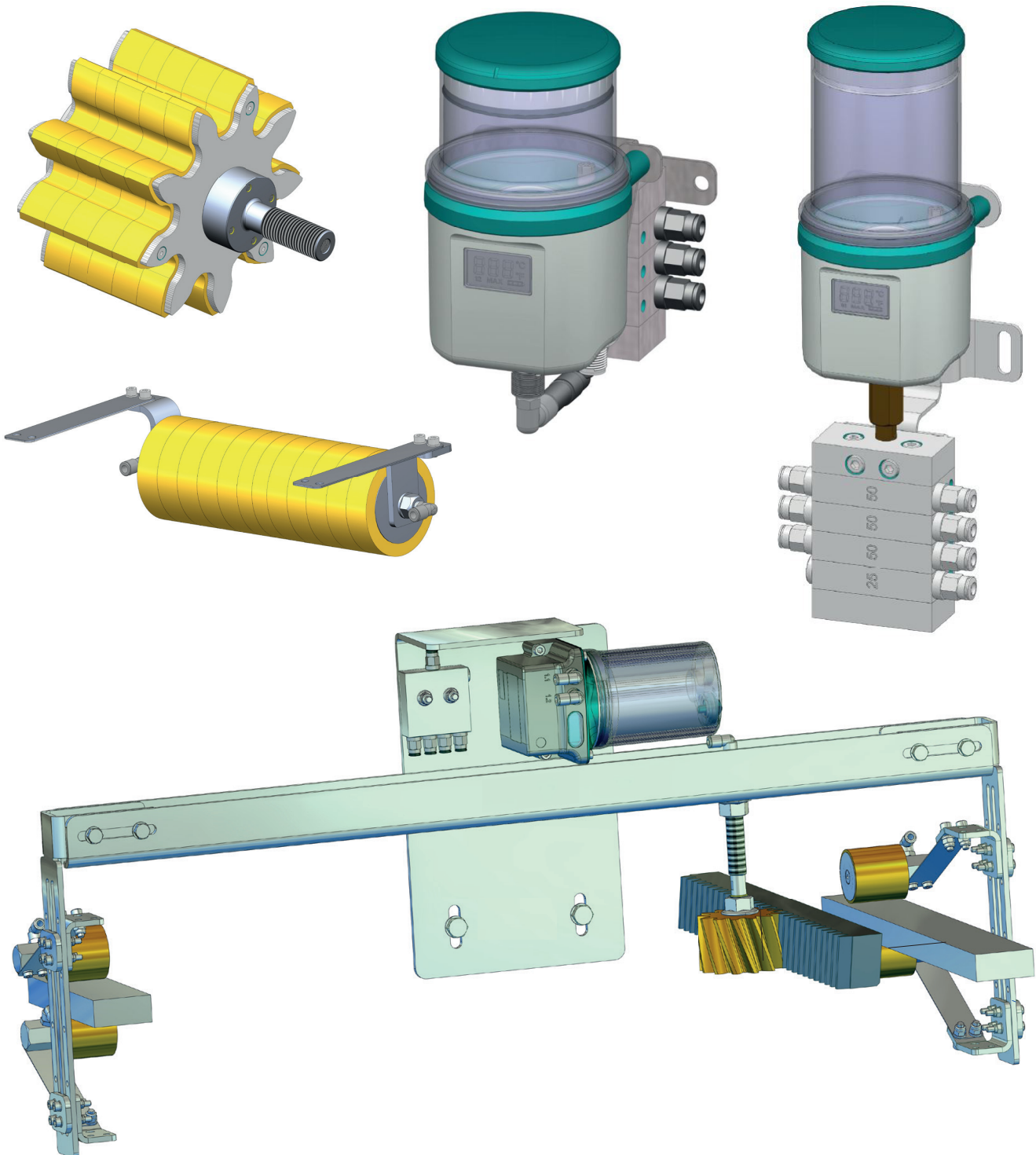
Parameter	Value
Max Operating Pressure	70 bar
Operating Temperature	-20 °C up to +70 °C
Volume per Pump Operation	0.15 cc
Pump Operations per Cycle	1
Pump Ops per 2000 Reservoir	~ 13330
Feedback Connection	4 Pole M12 x 1
Housing Material	Aluminium Polyamide
Sealing Protection	IP54

NOTE: Cartridges sold separately
Please see page 53 onward

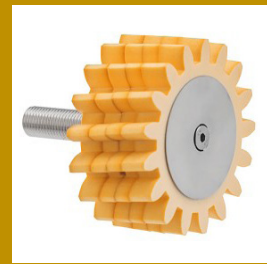
WMH AUTOMATIC LUBRICATION UNITS ARE AVAILABLE SINGULARLY OR PRIMED WITH SELECTED LUBRICANT & ACCESSORIES – PLEASE CONTACT OUR SALES TEAM WITH YOUR REQUIREMENTS



Accessories



WMH AUTOMATIC LUBRICATION UNITS ARE AVAILABLE SINGULARLY OR PRIMED WITH SELECTED LUBRICANT & ACCESSORIES - PLEASE CONTACT OUR SALES TEAM WITH YOUR REQUIREMENTS

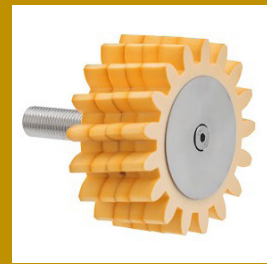


Lubrication Pinions

- For the lubrication of racks
- For the lubrication of pinions
- For the lubrication of slewing rings
- For grease or oil up to NLGI class 2
- Temperature range -30 to +150°C
- Integrated sleeve bearings
- Low weight
- Axial or radial supply
- Customised designs available

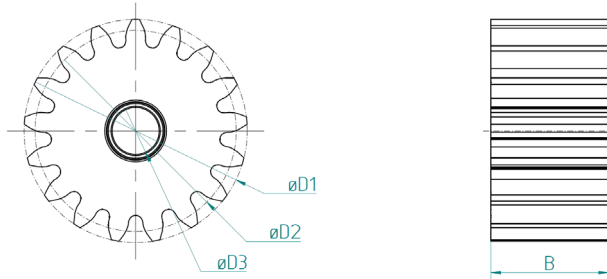


WMH AUTOMATIC LUBRICATION UNITS ARE AVAILABLE SINGULARLY OR PRIMED WITH SELECTED LUBRICANT & ACCESSORIES - PLEASE CONTACT OUR SALES TEAM WITH YOUR REQUIREMENTS



Straight Lubrication Pinions

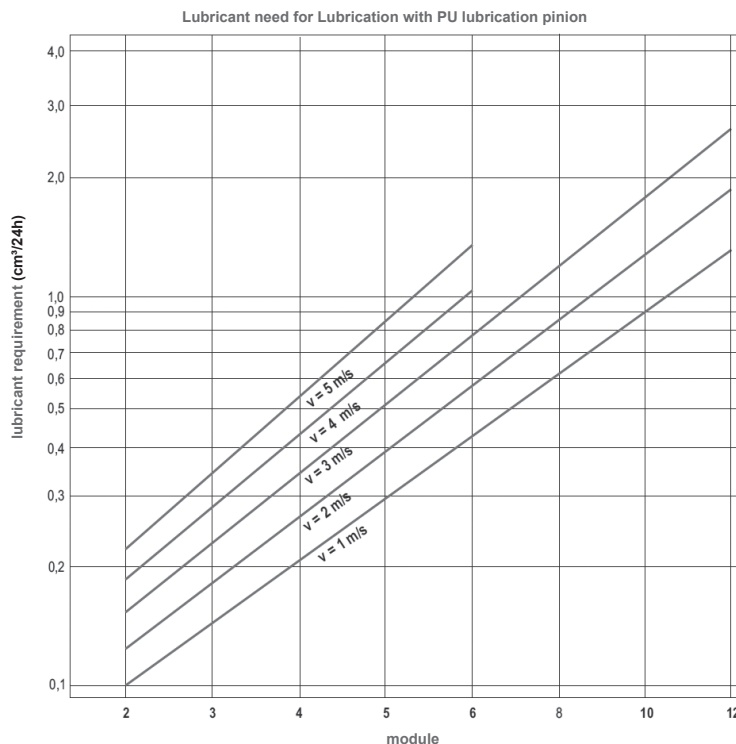
For Lubricating Straight Racks & Pinions



Design Parameter	Value
Helix Angle	STRAIGHT 0°
Pressure Angle	20°
Tooth Form	DIN 867
Material	PU Foam

Lubrication pinions are supplied complete with suitable bushing and sleeve bearing
Must be pre-lubricated prior to installation !

MOD	Tooth Number	Face Width (B)	$\phi D3$ (BORE)	$\phi D2$ (PCD)	$\phi D1$	Part Number
1.5	24	15	12	36	39	130-015-024
2	17	20	12	34	38	130-020-017
3	17	30	12	51	57	130-030-017
4	17	40	12	68	76	130-040-017
5	17	50	20	85	95	130-050-017
6	17	60	20	102	114	130-060-017
8	17	80	20	136	152	130-080-017
10	17	100	20	170	190	130-100-017



For very small rack & pinion drives ≤ 1 module and systems operating at less than 1 m/s travel speed, manual application of lubrication directly onto the teeth faces of the rack or pinion is acceptable.

For rack & pinion drives larger than 1 module and / or any system operating at over 1 m/s travel speed, accurate lubrication becomes much more critical to the operation and service life of the system.

WMH offer complete, automatic solutions to delivering the optimum quantity of lubrication to all rack & pinion systems in the form of automatic, programmable lubrication lumps and pinions.

The system includes lubrication pinions that are designed to mesh with the teeth of the rack or pinion.

The lubrication pinion does not transmit any torque, it simply follows the rotational movement of the teeth to transfer lubricant directly onto the contact faces.

The material stores the lubricant and releases it gradually which avoids wear from inconsistent lubrication and also prevents over lubrication resulting in a more cost effective lubrication system.

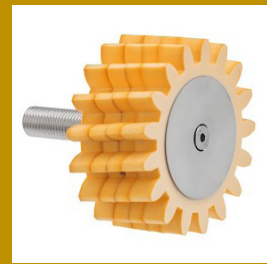
Lubrication pinions are made of open cellular polyurethane foam with an operating temperature range from -30°C up to +150°C.

Using lubrication pinions of an open cell design ensures an optimal supply of lubricant to the tooth faces over long periods of use.

When lubricating rack & pinion systems, it is preferable to mesh the lubrication pinion with the drive pinion rather than along the rack travel.

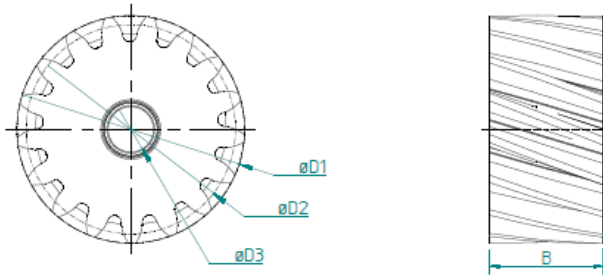
This is due to the fact that each tooth on the drive pinion sees more contact - and thus a greater potential for wear - than each tooth along the rack.

WMH AUTOMATIC LUBRICATION UNITS ARE AVAILABLE SINGULARLY OR PRIMED WITH SELECTED LUBRICANT & ACCESSORIES - PLEASE CONTACT OUR SALES TEAM WITH YOUR REQUIREMENTS



Helical Lubrication Pinions

For Lubricating Standard Helical L/H Pinions

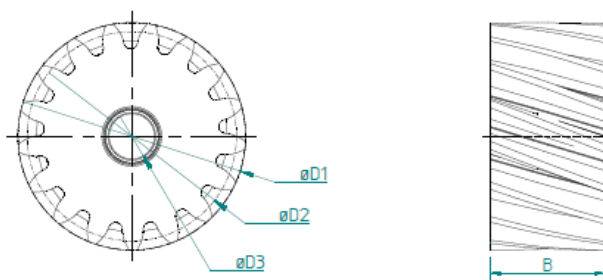


Design Parameter	Value
Helix Angle	R/H 19° 31' 42"
Pressure Angle	20°
Tooth Form	DIN 867
Material	PU Foam

Lubrication pinions are supplied complete with suitable bushing and sleeve bearing
Must be pre-lubricated prior to installation !

MOD	Tooth Number	Face Width (B)	$\varnothing D3$ (BORE)	$\varnothing D2$ (PCD)	$\varnothing D1$	Part Number
1.5	24	15	12	38.197	41.197	131-015-024
2	17	20	12	36.075	40.075	131-020-017
3	17	30	12	54.113	60.113	131-030-017
4	17	40	12	72.150	80.150	131-040-017
5	17	50	20	90.188	100.188	131-050-017
6	17	60	20	108.226	120.226	131-060-017
8	17	80	20	144.301	160.301	131-080-017
10	17	100	20	180.376	200.376	131-100-017

For Lubricating Standard Helical R/H Racks



Design Parameter	Value
Helix Angle	L/H 19° 31' 42"
Pressure Angle	20°
Tooth Form	DIN 867
Material	PU Foam

Lubrication pinions are supplied complete with suitable bushing and sleeve bearing
Must be pre-lubricated prior to installation !

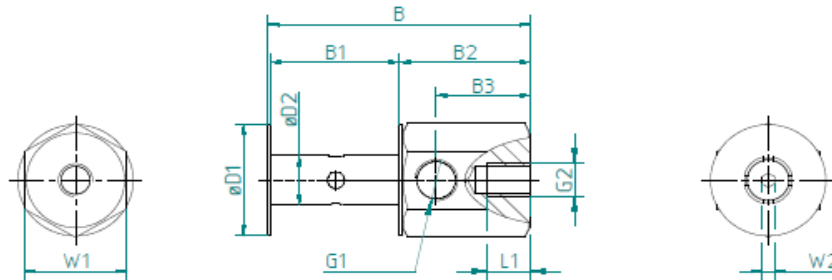
MOD	Tooth Number	Face Width (B)	$\varnothing D3$ (BORE)	$\varnothing D2$ (PCD)	$\varnothing D1$	Part Number
1.5	24	15	12	38.197	41.197	132-015-024
2	17	20	12	36.075	40.075	132-020-017
3	17	30	12	54.113	60.113	132-030-017
4	17	40	12	72.150	80.150	132-040-017
5	17	50	20	90.188	100.188	132-050-017
6	17	60	20	108.226	120.226	132-060-017
8	17	80	20	144.301	160.301	132-080-017
10	17	100	20	180.376	200.376	132-100-017

WMH AUTOMATIC LUBRICATION UNITS ARE AVAILABLE SINGULARLY OR PRIMED WITH SELECTED LUBRICANT & ACCESSORIES - PLEASE CONTACT OUR SALES TEAM WITH YOUR REQUIREMENTS



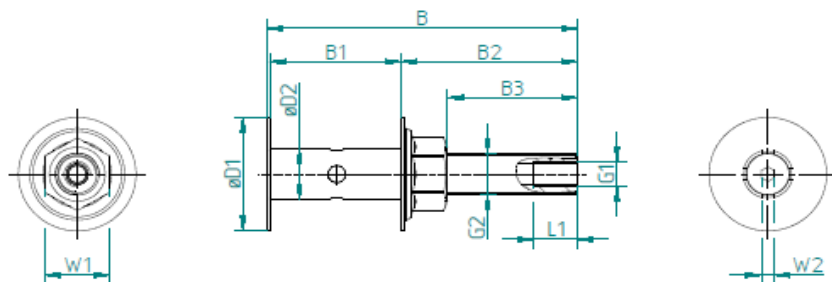
Mounting Axis

For Lubrication Pinions – Radial Supply



MOD	B1	D1	D2	L1	W2	B	B2	B3	G1	G2	W1	Part Number
1.5	15.2	27	12	10	3	46.4	30.6	22	G1/8	M8	24	133-015-001
2	20.2	27	12	10	3	54.4	30.6	22	G1/8	M8	24	133-020-001
3	30.2	27	12	10	3	61.4	30.6	22	G1/8	M8	24	133-030-001
4	40.2	27	12	10	3	71.4	30.6	22	G1/8	M8	24	133-040-001
5	50.2	60	20	10	4	81.4	30.6	22	G1/8	M8	24	133-050-001
6	60.2	60	20	10	4	91.4	30.6	22	G1/8	M8	24	133-060-001
8	80.2	60	20	10	4	111.4	30.6	22	G1/8	M8	24	133-080-001
10	100.2	100	20	10	4	131.4	30.6	22	G1/8	M8	24	133-100-001

For Lubrication Pinions – Axial Supply



MOD	B1	D1	D2	L1	W2	B	B2	B3	G1	G2	W1	Part Number
1.5	15.2	27	12	10	3	60.2	44.6	34.2	M6	M10	15	133-015-002
2	20.2	27	12	10	3	61.2	41.2	30.6	M6	M10	15	133-020-002
3	30.2	27	12	10	3	71.2	40.4	30	M6	M10	15	133-030-002
4	40.2	27	12	10	3	81.2	40.4	30	M6	M10	15	133-040-002
5	50.2	60	20	10	4	116.4	65.6	49.1	G1/8	M16	24	133-050-002
6	60.2	60	20	10	4	126.4	65.6	49.1	G1/8	M16	24	133-060-002
8	80.2	60	20	10	4	146.4	65.6	49.1	G1/8	M16	24	133-080-002
10	100.2	100	20	10	4	166.4	65.6	49.1	G1/8	M16	24	133-100-002

WMH AUTOMATIC LUBRICATION UNITS ARE AVAILABLE SINGULARLY OR PRIMED WITH SELECTED LUBRICANT & ACCESSORIES - PLEASE CONTACT OUR SALES TEAM WITH YOUR REQUIREMENTS



Lubrication Sprockets

- For the lubrication of chains
- For the lubrication of sprockets
- For grease or oil up to NLGI class 2
- Temperature range -30 to +150°C
- Integrated sleeve bearings
- Radial supply mounting axis
- Axial supply c/w spring steel
- Low weight

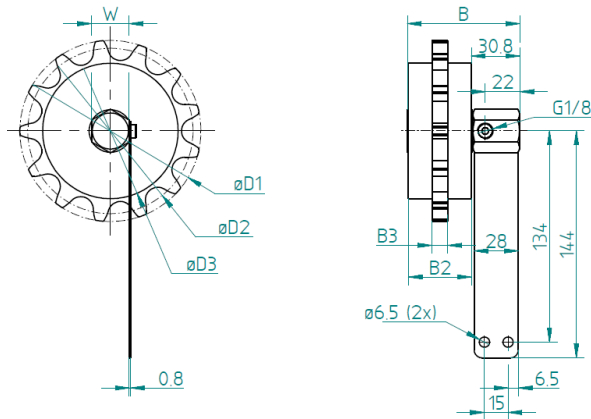


WMH AUTOMATIC LUBRICATION UNITS ARE AVAILABLE SINGULARLY OR PRIMED WITH SELECTED LUBRICANT & ACCESSORIES - PLEASE CONTACT OUR SALES TEAM WITH YOUR REQUIREMENTS



Lubrication Sprockets

For Simplex Roller Chain – Radial Supply



Design Parameter	Value
Tooth Form	DIN 8187
Material	PU Foam

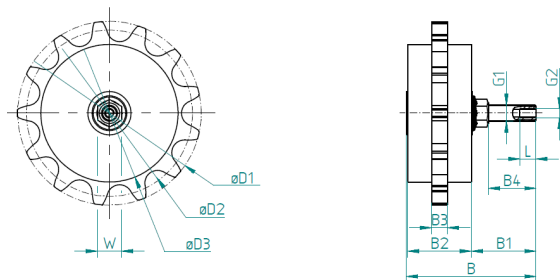
Lubrication sprockets are supplied complete with suitable bushing and sleeve bearing

Radial type lubrication sprockets are supplied complete with spring steel strip

Must be pre-lubricated prior to installation !

Size	Tooth Number	D1	D2	D3	B2	B3	B	W	Part Number
08B-1	12	53	49.1	39	30	6	61.4	24	136-201-112
10B-1	10	55	51.4	39	30	6	61.4	24	136-301-110
12B-1	8	58	49.8	39	30	6	61.4	24	136-401-108
16B-1	8	75	66.4	48	40	10	71.4	24	136-501-108

For Simplex Roller Chain – Axial Supply



Design Parameter	Value
Tooth Form	DIN 8187
Material	PU Foam

Lubrication sprockets are supplied complete with suitable bushing and sleeve bearing

Must be pre-lubricated prior to installation !

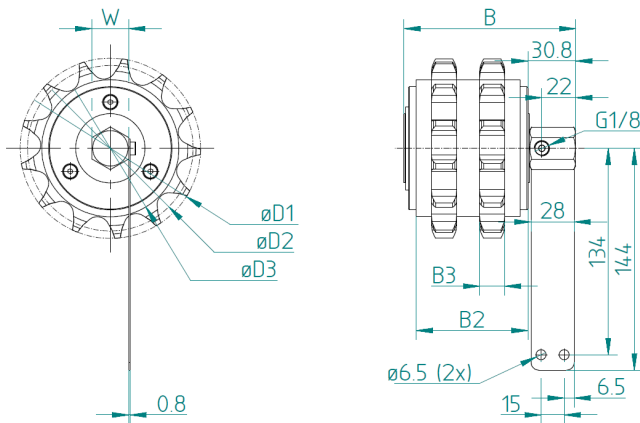
Size	Tooth Number	D1	D2	D3	B2	B3	B	B1	B4	G1	G2	L	W	Part Number
08B-1	12	53	49.1	39	30	6	71.2	39.8	29.8	M10	M6	10	15	136-201-012
10B-1	10	55	51.4	39	30	6	71.2	39.8	29.8	M10	M6	10	15	136-301-010
12B-1	8	58	49.8	39	30	6	71.2	39.8	29.8	M10	M6	10	15	136-401-008
16B-1	8	75	66.4	48	40	10	83.4	39.8	29.8	M10	M6	10	15	136-501-008

WMH AUTOMATIC LUBRICATION UNITS ARE AVAILABLE SINGULARLY OR PRIMED WITH SELECTED LUBRICANT & ACCESSORIES – PLEASE CONTACT OUR SALES TEAM WITH YOUR REQUIREMENTS



Lubrication Sprockets

For Duplex Roller Chain – Radial Supply



Design Parameter	Value
Tooth Form	DIN 8187
Material	PU Foam

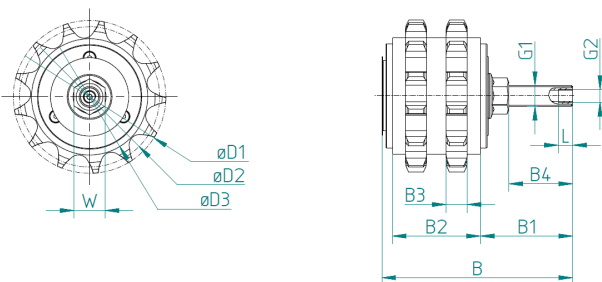
Lubrication sprockets are supplied complete with suitable bushing and sleeve bearing

Radial type lubrication sprockets are supplied complete with spring steel strip

Must be pre-lubricated prior to installation !

Size	Tooth Number	D1	D2	D3	B2	B3	B	W	Part Number
08B-2	12	53	49.1	39	40	6	71.4	24	136-202-112
10B-2	10	55	51.4	39	40	6	76.4	24	136-302-110
12B-2	8	58	49.8	39	45	6	81.4	24	136-402-108
16B-2	8	75	66.4	48	80	10	111.4	24	136-502-108

For Duplex Roller Chain – Axial Supply



Design Parameter	Value
Tooth Form	DIN 8187
Material	PU Foam

Lubrication sprockets are supplied complete with suitable bushing and sleeve bearing

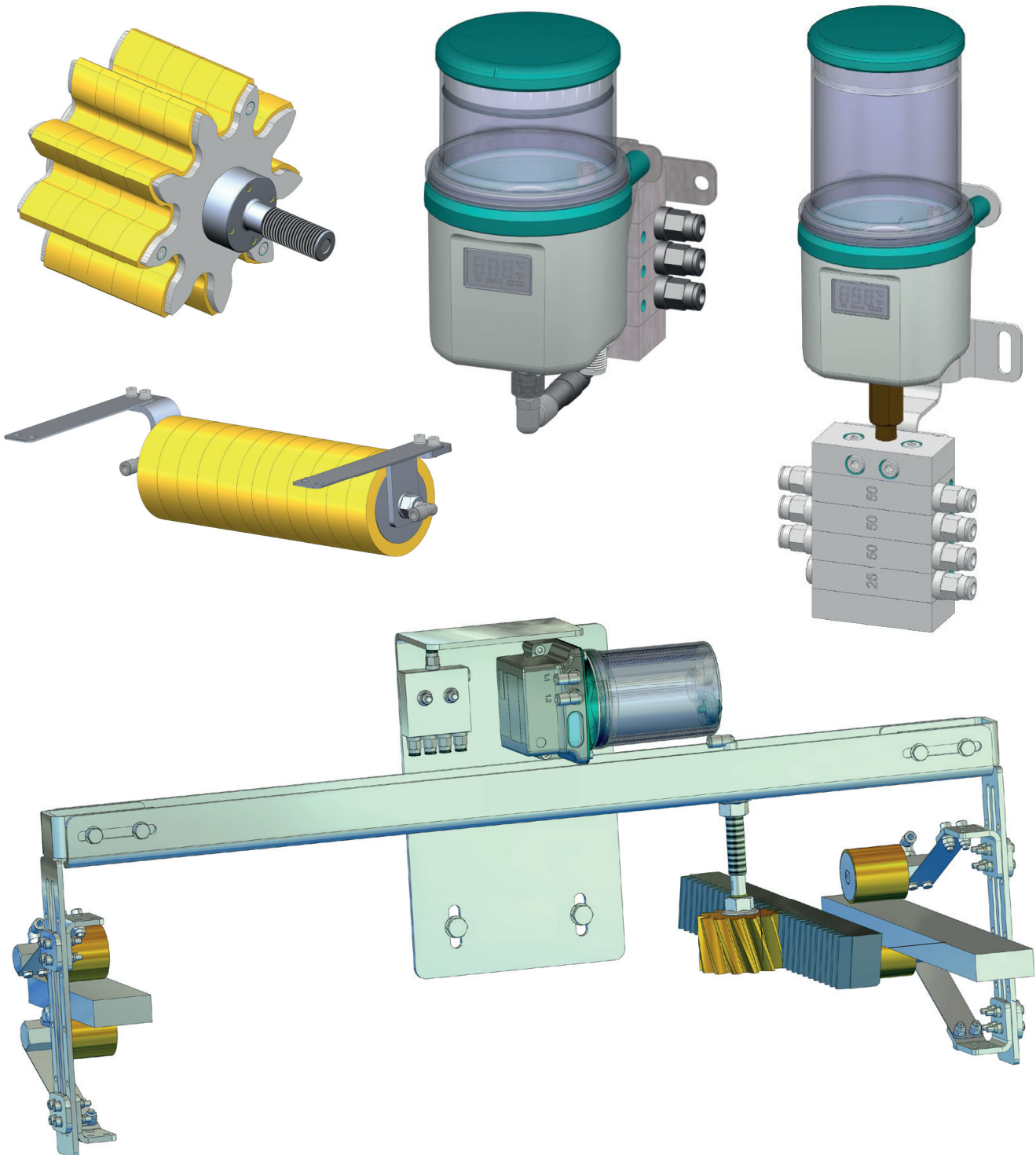
Must be pre-lubricated prior to installation !

Size	Tooth Number	D1	D2	D3	B2	B3	B	B1	B4	G1	G2	L	W	Part Number
08B-2	12	53	49.1	39	40	6	81.2	39.8	29.8	M10	M6	10	15	136-202-012
10B-2	10	55	51.4	39	40	6	81.2	39.8	29.8	M10	M6	10	15	136-302-010
12B-2	8	58	49.8	39	45	6	86.2	39.8	29.8	M10	M6	10	15	136-402-008
16B-2	8	75	66.4	48	80	10	146.3	64.9	48.9	M16	G1/8	10	15	136-502-008

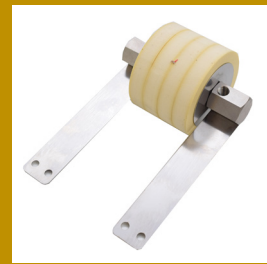
WMH AUTOMATIC LUBRICATION UNITS ARE AVAILABLE SINGULARLY OR PRIMED WITH SELECTED LUBRICANT & ACCESSORIES – PLEASE CONTACT OUR SALES TEAM WITH YOUR REQUIREMENTS



Accessories

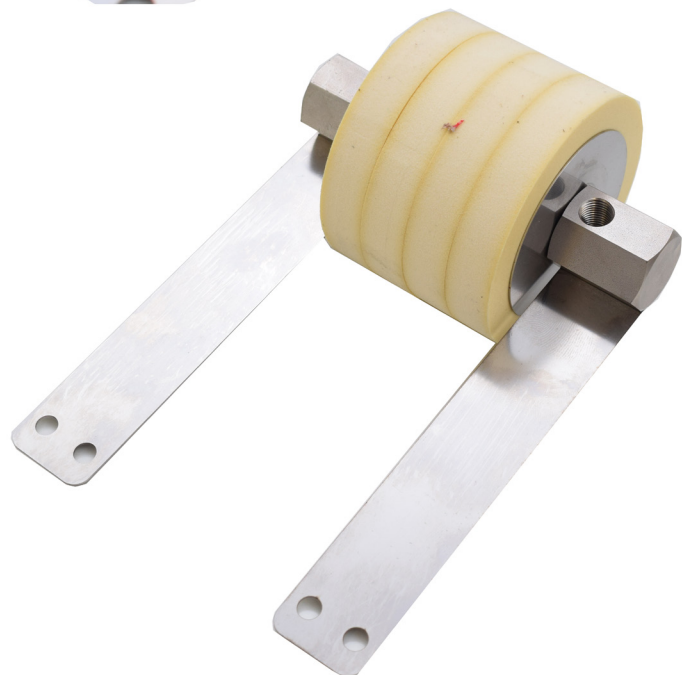


WMH AUTOMATIC LUBRICATION UNITS ARE AVAILABLE SINGULARLY OR PRIMED WITH SELECTED LUBRICANT & ACCESSORIES - PLEASE CONTACT OUR SALES TEAM WITH YOUR REQUIREMENTS

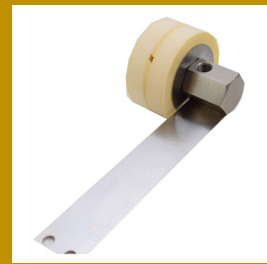


Lubrication Rollers

- For general purpose lubrication
- For grease or oil up to NLGI class 2
- Temperature range -30 to +150°C
- Integrated sleeve bearings
- Up to 600mm diameter rollers
- Axial supply c/w spring steel
- Low weight

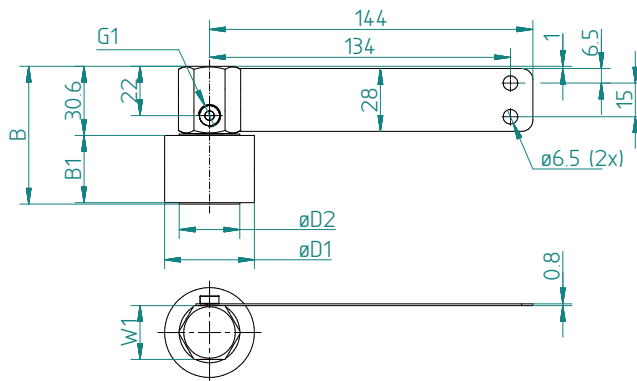


WMH AUTOMATIC LUBRICATION UNITS ARE AVAILABLE SINGULARLY OR PRIMED WITH SELECTED LUBRICANT & ACCESSORIES - PLEASE CONTACT OUR SALES TEAM WITH YOUR REQUIREMENTS



Lubrication Rollers

For General Purpose – Single Sided



Design Parameter	Value
Material	PU Foam

Lubrication rollers are supplied complete with suitable bushing and sleeve bearing

Radial type lubrication rollers are supplied complete with spring steel strip

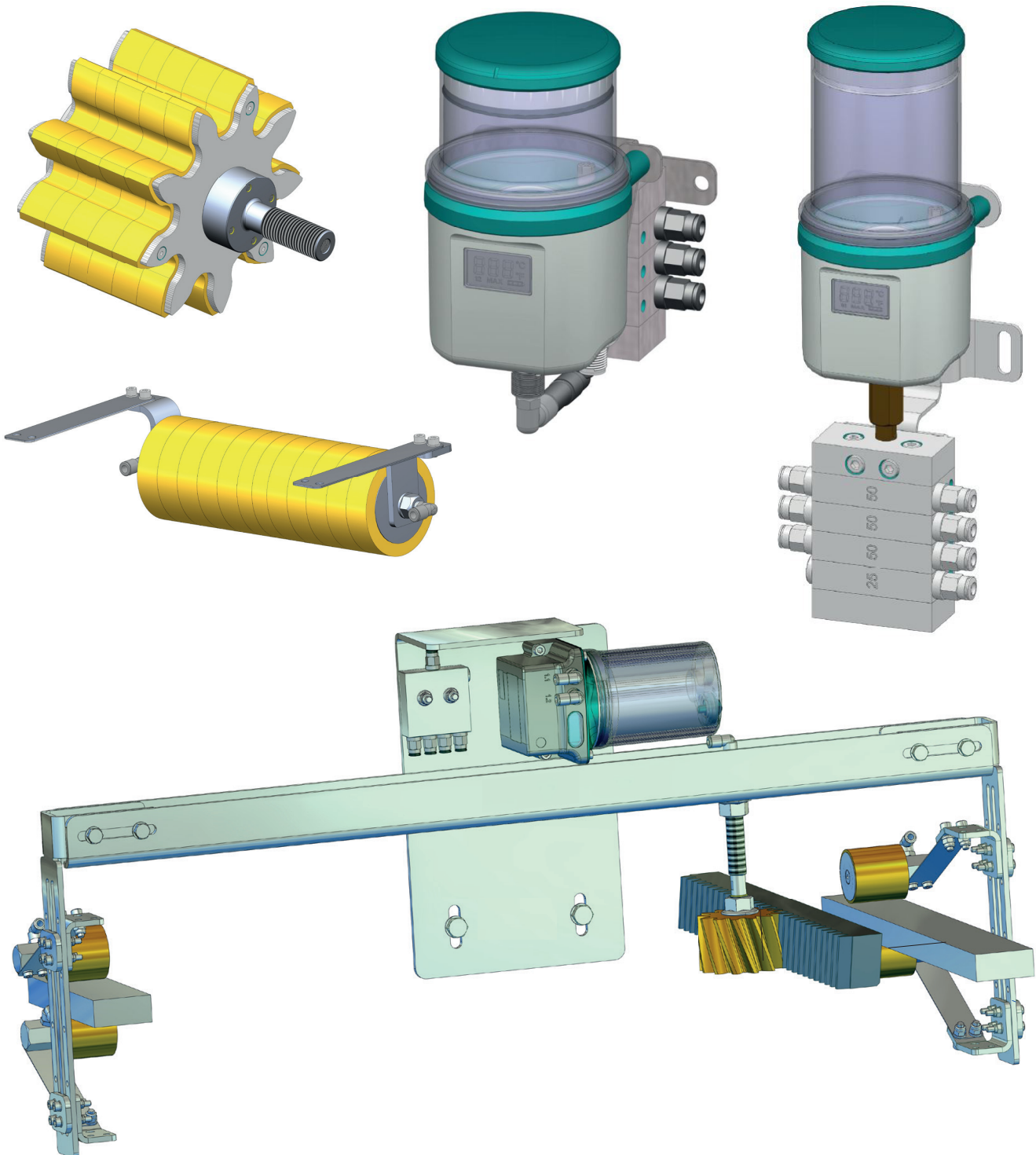
Must be pre-lubricated prior to installation !

B1	B	W1	G1	D1	D2	Part Number	
						For Grease	For Oil
20	51.4	24	M10 x 1.0 x 10 Deep	30	27	127-020-303	137-020-303
				40	27	127-020-403	137-020-403
				60	45	127-020-603	137-020-603
24	55.4	24	M10 x 1.0 x 10 Deep	30	27	127-024-303	137-024-303
				40	27	127-024-403	137-024-403
				60	45	127-024-603	137-024-603
30	61.4	24	M10 x 1.0 x 10 Deep	30	27	127-030-303	137-030-303
				40	27	127-030-403	137-030-403
				60	45	127-030-603	137-030-603
40	71.4	24	M10 x 1.0 x 10 Deep	30	27	127-040-303	137-040-303
				40	27	127-040-403	137-040-403
				60	45	127-040-603	137-040-603
45	76.4	24	M10 x 1.0 x 10 Deep	30	27	127-045-303	137-045-303
				40	27	127-045-403	137-045-403
				60	45	127-045-603	137-045-603
50	81.4	24	M10 x 1.0 x 10 Deep	50	45	127-050-503	137-050-503
				65	45	127-050-653	137-050-653
				80	60	127-050-803	137-050-803
60	91.4	24	M10 x 1.0 x 10 Deep	50	45	127-060-503	137-060-503
				65	45	127-060-653	137-060-653
				80	60	127-060-803	137-060-803
70	101.4	24	M10 x 1.0 x 10 Deep	50	45	127-070-503	137-070-503
				65	45	127-070-653	137-070-653
				80	60	127-070-803	137-070-803
80	111.4	24	M10 x 1.0 x 10 Deep	50	45	127-080-503	137-080-503
				65	45	127-080-653	137-080-653
				80	60	127-080-803	137-080-803

WMH AUTOMATIC LUBRICATION UNITS ARE AVAILABLE SINGULARLY OR PRIMED WITH SELECTED LUBRICANT & ACCESSORIES - PLEASE CONTACT OUR SALES TEAM WITH YOUR REQUIREMENTS



Accessories

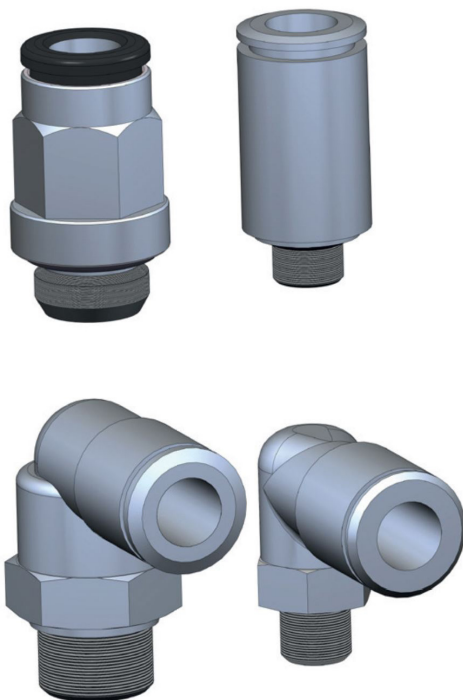


WMH AUTOMATIC LUBRICATION UNITS ARE AVAILABLE SINGULARLY OR PRIMED WITH SELECTED LUBRICANT & ACCESSORIES - PLEASE CONTACT OUR SALES TEAM WITH YOUR REQUIREMENTS



Tube, Fittings & Accessories

- Splitters with up to 4 outlets
- Distributors with up to 14 outlets
- Straight tube connectors
- Elbow style tube connectors
- For Ø4mm, Ø6mm or Ø8mm tubes
- For grease or oil up to NLGI class 2
- Pre-filled tubes up to 10M in length
- Empty tubes up to 50M in length
- High design flexibility

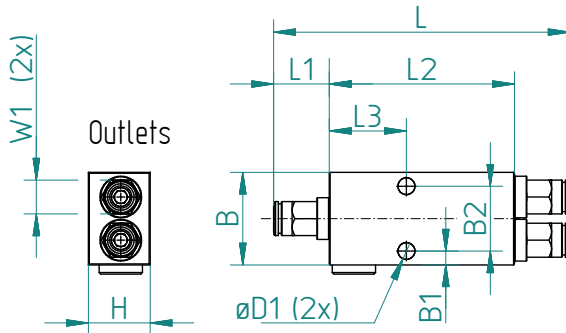


WMH AUTOMATIC LUBRICATION UNITS ARE AVAILABLE SINGULARLY OR PRIMED WITH SELECTED LUBRICANT & ACCESSORIES - PLEASE CONTACT OUR SALES TEAM WITH YOUR REQUIREMENTS



Splitters

For Ø6mm OD x Ø4mm ID Tubes – Push Fit



Design Parameter	Value
Max Pressure Difference	8 Bar
Max Lubricant Viscosity	NLGI Class 2
Temperature Range	-10 to +60°C
Material	Alu & Brass
Max Outlets 125 / 250	4
Max Outlets 400 / 500	16
Max Outlets 1500 / 2000	40

Outlets	L	L1	L2	L3	H	W1	B	B1	B2	D1	Part Number	
											For Grease	For Oil
2	96	18	60	25	20	11	30	4.5	21	5.5	134-005-002	134-005-006
3							48	18.0	15	6.5	134-005-003	134-005-007
4							60	17.5	21	6.5	134-005-004	134-005-008

Splitters can be used in combination with Ø6mm OD x Ø4mm ID tubes only

For use when 2, 3 or 4 lubrication points are required from one pump body outlet

Only one splitter can be used per FlexxPump outlet, multiple splitters not permitted

Tube length from FlexxPump outlet to splitter should be kept as short as possible

Tube lengths from each splitter outlet to each lubrication point should be kept even

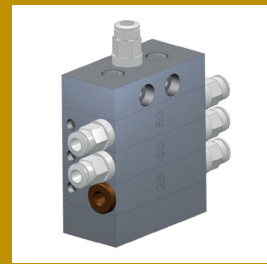
The max pressure difference between each splitter outlet should not exceed 8 bar

Output lubricant quantities will vary depending on line pressure differential

If even, consistent lubrication per outlet is required, see progressive distributors

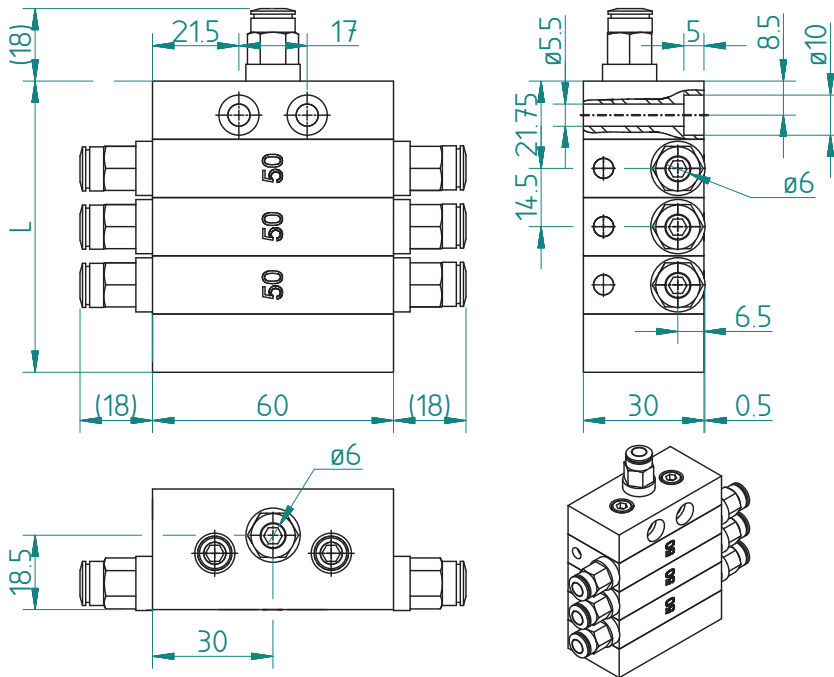
Splitters are not suitable for use with any lubricants with solid particles

WMH AUTOMATIC LUBRICATION UNITS ARE AVAILABLE SINGULARLY OR PRIMED WITH SELECTED LUBRICANT & ACCESSORIES – PLEASE CONTACT OUR SALES TEAM WITH YOUR REQUIREMENTS



Progressive Distributors

For Ø6mm OD x Ø4mm ID Tubes – Push Fit



Design Parameter	Value
Max Operating Pressure	100 Bar
Max Lubricant Viscosity	NLGI Class 2
Lubricant Type	Grease Only
Quantity per Outlet	0.25 cc
Temperature Range	-10 to +60°C
Material	Alu & Brass
Max Outlets 125 / 250	14
Max Outlets 400 / 500	56
Max Outlets 1500 / 2000	140

Modular design progressively distributes grease from each outlet in sequence i.e. once one outlet has dispensed its governed quantity, it will not release any more until all other outlets have also operated in order

Standard governed quantity of 0.25cc per outlet. Each segment can contain one (marked 25) or two (marked 50) outlets before another segment is required

Customised quantities available on request

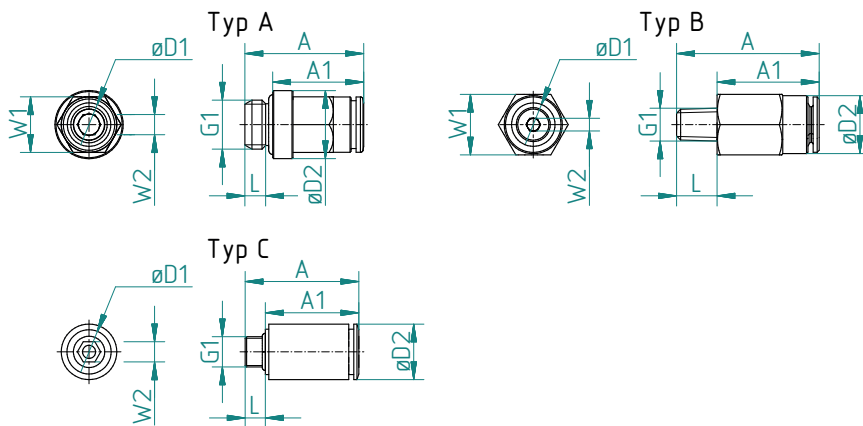
Outlets	Length (L)	Part Number
2	72.5	138-000-002
3	72.5	138-000-003
4	72.5	138-000-004
5	72.5	138-000-005
6	72.5	138-000-006
7	87.0	138-000-007
8	87.0	138-000-008
9	101.5	138-000-009
10	101.5	138-000-010
11	116.0	138-000-011
12	116.0	138-000-012
13	130.5	138-000-013
14	130.5	138-000-014

WMH AUTOMATIC LUBRICATION UNITS ARE AVAILABLE SINGULARLY OR PRIMED WITH SELECTED LUBRICANT & ACCESSORIES – PLEASE CONTACT OUR SALES TEAM WITH YOUR REQUIREMENTS



Straight Tube Connectors

For All Tube Sizes – Push Fit



Design Parameter	Value
Operating Pressure	Max 80 Bar
Temperature Range	-30 to +100°C
Material	Nickel Plate Brass
Lubricant Suitability	Grease / Oil

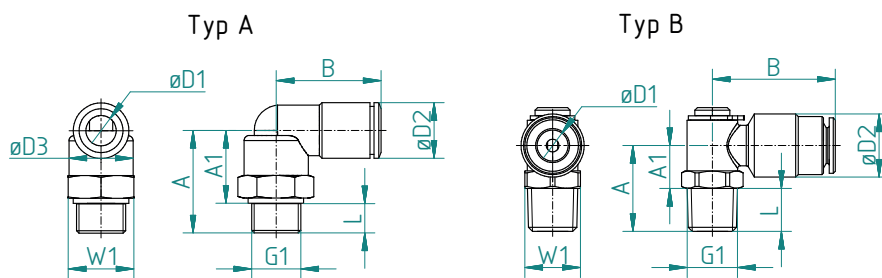
Type	Tube (D1)	D2	A	A1	G1	Form	L	W1	W2	Part Number
A	4 x 2.5	13.5	24	18	G1/8	ISO 228-1	5	9	2.5	134-000-012
	6 x 4	13.5	24	18.5	G1/8	ISO 228-1	5	11	4	134-000-002
	6 x 4	12	26	18	R1/8 BSPT	DIN 2999-5	8	13	4	134-000-003
	6 x 4	17	24	16	G1/4	ISO 228-1	8	11	4	134-000-004
	6 x 4	13.5	24	18	M10 x 1	DIN 13-3	6	11	4	134-000-011
	8 x 5	11	26.5	20.5	G1/8	ISO 228-1	6	13	5	134-000-008
	8 x 5	17	23.5	17	G1/4	ISO 228-1	6.5	13	6	134-000-018
B	8 x 5	13	26.5	20.5	M10 x 1	DIN 13-2	6	13	5	134-000-019
	6 x 4	11	25.8	17.8	M8 x 1	DIN 158-1	8	11	4	134-000-005
C	6 x 4	11.5	28.2	20	M6	DIN 158-1	8	12	2.5	134-000-014
	4 x 2.5	9	23.5	16.5	M6	DIN 13-1	7	-	2.5	134-000-006
	4 x 2.5	9	23.5	16.5	M6 x 0.75	DIN 13-2	5	-	2.5	134-000-009
	4 x 2.5	9	20.5	16.5	M5	DIN 13-1	4	-	2.5	134-000-016
	4 x 2.5	9	21.3	16.3	M3	DIN 13-1	5	-	1.5	134-000-017
	6 x 4	11	22.5	18.5	M6	DIN 13-1	4	-	2.5	134-000-001
	6 x 4	11	22.5	17.8	M6 x 0.75	DIN 13-2	5	-	2.5	134-000-010
	6 x 4	11	22.5	17.8	M5	DIN 13-1	4	-	2.5	134-000-015

WMH AUTOMATIC LUBRICATION UNITS ARE AVAILABLE SINGULARLY OR PRIMED WITH SELECTED LUBRICANT & ACCESSORIES – PLEASE CONTACT OUR SALES TEAM WITH YOUR REQUIREMENTS



Angled Tube Connectors

For All Tube Sizes – Push Fit



Design Parameter	Value
Operating Pressure	Max 80 Bar
Temperature Range	-30 to +100°C
Material	Nickel Plate Brass
Lubricant Suitability	Grease / Oil

Type B rotary connectors can be rotated under operating pressure

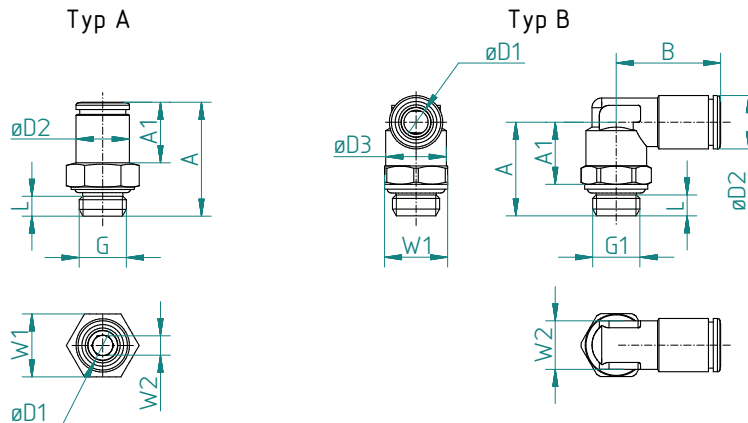
Type	Tube (D1)	D2	A	A1	B	G1	Form	L	W1	Part Number
A	4 x 2.5	9	15.8	10.8	17.2	M6	DIN 13-1	5	9	134-001-007
	4 x 2.5	9	15.8	10.8	18.0	M6 x 0.75	DIN 13-2	5	9	134-001-011
	4 x 2.5	9	14.8	8.9	20.0	G1/8	ISO 228-1	5.9	13	134-001-018
	4 x 2.5	9	14.8	10.8	18.0	M5	DIN 13-1	4	9	134-001-020
	4 x 2.5	9.1	16.0	11.0	18.2	M3	DIN 13-1	5	6	134-001-021
	6 x 4	11	15.5	10.5	20.5	M6	DIN 13-1	5	9	134-001-001
	6 x 4	11	20.3	14.4	20.8	G1/8	ISO 228-1	5.9	13	134-001-002
	6 x 4	11	20.3	14.4	20.8	M10 x 1	DIN 13-2	5.9	13	134-001-006
	6 x 4	11	24.0	16.0	21.5	G1/4	ISO 228-1	7	13	134-001-009
	6 x 4	11	15.8	10.8	20.8	M6 x 0.75	DIN 13-2	5	9	134-001-012
	6 x 4	11	24.0	18.5	20.5	M10 x 1	DIN 13-2	6	13	134-001-017
	6 x 4	11	14.8	10.8	21.0	M5	DIN 13-1	4	9	134-001-019
	8 x 5	13	23.3	16.8	23.5	G1/4	ISO 228-1	6.5	13	134-001-022
	8 x 5	13	24.5	18.5	23.5	M10 x 1	DIN 13-2	6	13	134-001-023
8 x 5	13	20.3	14.3	24.0	G1/8	ISO 228-1	6	13	134-001-024	
B	6 x 4	11	17.8	11.0	17.2	M8 x 1	DIN 13-2	6.8	9	134-001-010
	6 x 4	11	16.5	8.5	24.3	M6	DIN 13-1	8	11	134-001-014
	6 x 4	11.5	17.0	8.5	24.3	R1/8	DIN 2999-5	8.5	11	134-001-016

WMH AUTOMATIC LUBRICATION UNITS ARE AVAILABLE SINGULARLY OR PRIMED WITH SELECTED LUBRICANT & ACCESSORIES – PLEASE CONTACT OUR SALES TEAM WITH YOUR REQUIREMENTS



Stainless Tube Connectors

For All Tube Sizes – Push Fit



Design Parameter	Value
Operating Pressure	Max 80 Bar
Temperature Range	-30 to +100°C
Material	St/steel 1.4401
Lubricant Suitability	Grease / Oil

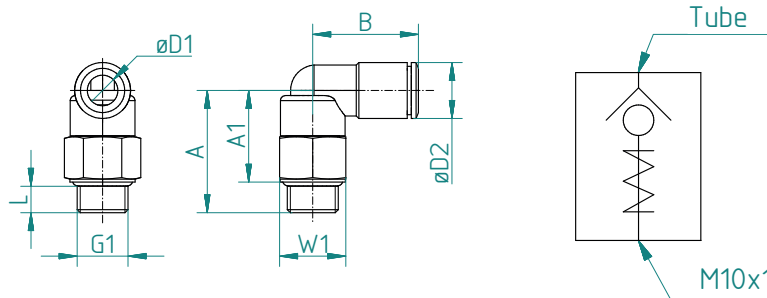
Type	Tube (D1)	D2	A	A1	B	G1	L	W1	W2	Part Number
A	4 x 2.5	9	20.5	7.0	-	M5	4.0	9	2.5	134-000-901
	4 x 2.5	9	19.0	9.0	-	G1/8	5.5	13	3	134-000-902
	6 x 4	11	22.5	17.5	-	M5	4.0	-	2.5	134-000-904
	6 x 4	11	23.5	12.5	-	G1/8	5.5	13	4	134-000-905
	6 x 4	11	20.0	13.5	-	G1/4	6.5	16	4	134-000-006
	8 x 5	13	26.0	21.5	-	G1/8	5.5	13	5	134-000-907
	8 x 5	13	26.0	20.5	-	G1/4	6.5	13	5	134-000-908
B	4 x 2.5	9	14.8	10.8	18.2	M5	4.0	13	9	134-001-901
	4 x 2.5	9	19.3	13.8	20.0	G1/8	5.5	13	10	134-001-902
	4 x 2.5	9	20.5	14.0	20.0	G1/4	6.5	16	10	134-001-903
	6 x 4	11	17.6	13.6	20.5	M5	4.0	9	9	134-001-904
	6 x 4	11	19.3	13.8	21.5	G1/8	5.5	13	10	134-001-905
	6 x 4	11	20.5	14.0	21.5	G1/4	6.5	16	10	134-001-906
	8 x 5	13	19.3	14.6	23.5	G1/8	4.7	13	10	134-001-907
	8 x 5	13	20.5	14.0	23.5	G1/4	6.5	16	10	134-001-908

WMH AUTOMATIC LUBRICATION UNITS ARE AVAILABLE SINGULARLY OR PRIMED WITH SELECTED LUBRICANT & ACCESSORIES – PLEASE CONTACT OUR SALES TEAM WITH YOUR REQUIREMENTS



Non-Return Tube Connectors

For All Tube Sizes – Push Fit



Design Parameter	Value
Operating Pressure	Max 80 Bar
Temperature Range	-30 to +100°C
Material	Nickel Plate Brass
Lubricant Suitability	Grease / Oil

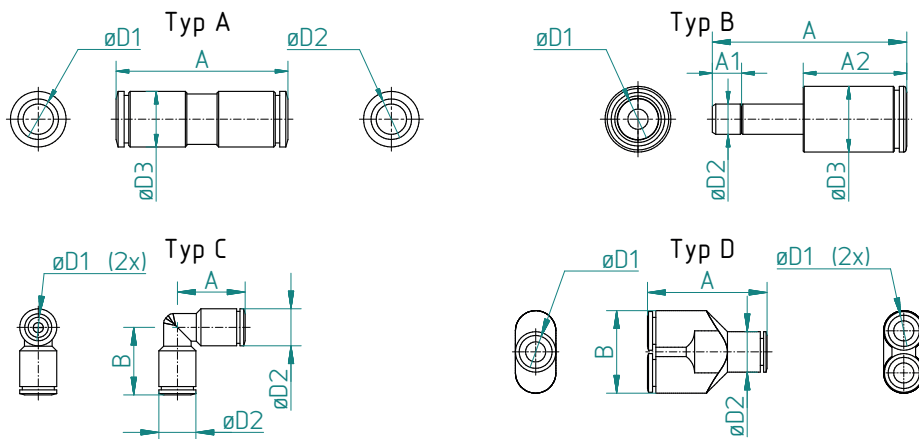
Tube Size (D1)	D2	A	A1	B	G1	L	W1	Part Number
4 x 2.5	9	24	18	20.0	M10 x 1	5.5	13	134-001-200
6 x 4	11	24	18	20.5	M10 x 1	5.5	13	134-001-201
8 x 5	13	25	19	23.5	M10 x 1	5.5	13	134-001-202

WMH AUTOMATIC LUBRICATION UNITS ARE AVAILABLE SINGULARLY OR PRIMED WITH SELECTED LUBRICANT & ACCESSORIES – PLEASE CONTACT OUR SALES TEAM WITH YOUR REQUIREMENTS



Tube Joiners & Reducers

For All Tube Sizes – Push Fit



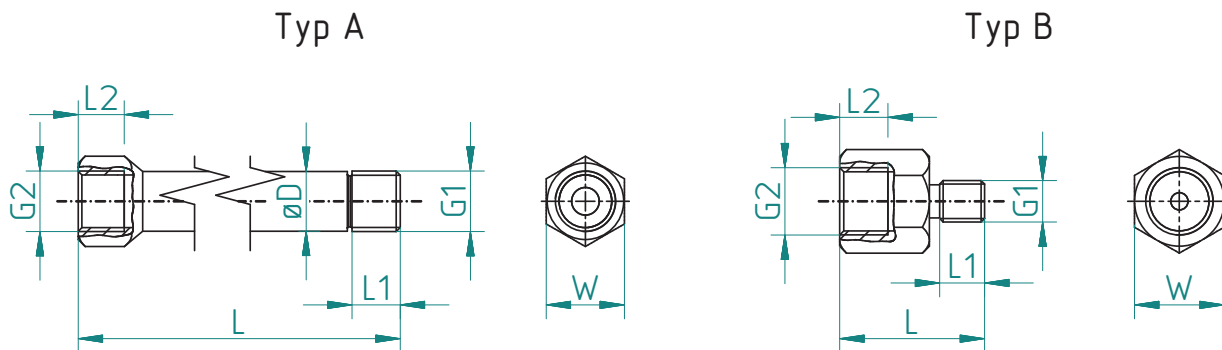
Type	Tube Size (D1)	D2	D3	A	A1	A2	B	Part Number
A	6 x 4	6 x 4	11	34	-	-	-	134-000-104
	6 x 4	8 x 5	13	39	-	-	-	134-000-105
	4 x 2.5	6 x 4	11	34	-	-	-	134-000-106
	4 x 2.5	4 x 2.5	9	32	-	-	-	134-000-111
B	8 x 5	6	13	38.5	11.6	20.5	-	134-000-108
	6 x 4	4	11	35.0	10.8	17.8	-	134-000-109
	4 x 2.5	6	9	30.5	5.1	12.5	-	134-000-110
C	6 x 4	11	-	20.1	-	-	-	134-001-104
	4 x 2.5	9	-	17.5	-	-	-	134-001-106
D	8 x 5	14	-	37.9	-	-	28.5	134-002-023
	6 x 4	12	-	35.5	-	-	24.5	134-002-000

WMH AUTOMATIC LUBRICATION UNITS ARE AVAILABLE SINGULARLY OR PRIMED WITH SELECTED LUBRICANT & ACCESSORIES – PLEASE CONTACT OUR SALES TEAM WITH YOUR REQUIREMENTS



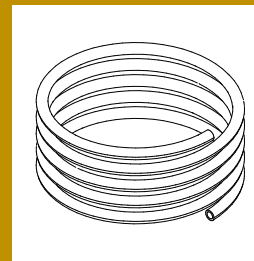
Accessory Fittings

Male to Female Thread Connection



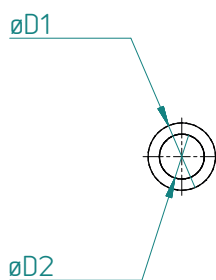
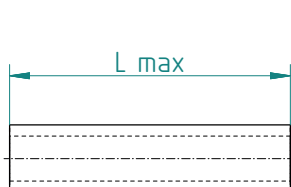
Type	Material	G1	L1	G2	L2	L	D	W	Part Number
A	Zinc Plated Steel	G1/8	7.0	G1/4	12	35	13	17	134-000-700
		G1/4	11.5	G1/4	10	85	13	17	134-000-701
		G1/4	11.5	G1/4	10	104	13	17	134-000-702
		G1/8	12.0	G1/8	15	50	14	17	134-000-703
		G1/4	12.0	G1/4	10	122	14	17	134-000-712
B	Nickel Plated Brass	M6	6.5	M10x1	7.0	21.0	-	13	134-000-704
		M6	6.5	G1/8	7.0	21.0	-	13	134-000-705
		M8	9.0	M6	7.5	19.2	-	10	134-000-706
		M4	5.0	M3	6.0	16	-	6	134-000-707
		M4	5.0	M6	7.0	18.5	-	9	134-000-708
		M3	5.5	M6	7.0	17.5	-	9	134-000-709
		M8	8.5	G1/8	8.0	24.0	-	17	134-000-710
		M10x1	8.5	G1/4	8.0	24.0	-	17	134-000-711

WMH AUTOMATIC LUBRICATION UNITS ARE AVAILABLE SINGULARLY OR PRIMED WITH SELECTED LUBRICANT & ACCESSORIES - PLEASE CONTACT OUR SALES TEAM WITH YOUR REQUIREMENTS



Lubrication Tubes

Pre-Filled or Empty



Design Parameter	Value
Grease Type Tube	PA - Black
Oil Type Tube	PA - Clear

Please specify required tube length when ordering

Lubricant Type	Tube Outer Dia (D1 mm)	Tube Inner Dia (D2 mm)	Maximum Length (L M)	Part Number / Metre	
F01	6	4	10	134-003-001	
	8	5	10	134-008-001	
F02	6	4	5	134-003-002	
	8	5	5	134-008-002	
F03	4	2.5	5	102-011-013	
	6	4	10	134-003-003	
	8	5	10	134-008-003	
F04	6	4	5	134-003-004	
	8	5	5	134-008-004	
F05	6	4	5	134-003-005	
	8	5	5	134-008-005	
F06	6	4	5	134-003-006	
	8	5	5	134-008-006	
F07	6	4	10	134-003-007	
	8	5	10	134-008-007	
F08	6	4	10	134-003-008	
	8	5	10	134-008-008	
F09	6	4	10	134-003-009	
	8	5	10	134-008-009	
F10	6	4	5	134-003-010	
	8	5	10	134-008-010	
F11	6	4	10	134-003-011	
	8	5	10	134-008-011	
Empty	4	2.5	25	Black / M	134-004-003
	6	3 (Oil Only)	50	Clear / M	134-004-002
	6	4	50	Black / M	134-004-001
	6	4	50	Black Roll	200-373-791
	8	5	50	Black / M	134-004-005

WMH AUTOMATIC LUBRICATION UNITS ARE AVAILABLE SINGULARLY OR PRIMED WITH SELECTED LUBRICANT & ACCESSORIES - PLEASE CONTACT OUR SALES TEAM WITH YOUR REQUIREMENTS



Lubricants

- High performance lubricants
- Cartridges for all FlexxPumps
- Also available in tubes or barrels
- Greases for general purpose applications
- Grease suitable for food industry
- Greases for high dynamic applications
- Oils specifically for lubricating chain



WMH AUTOMATIC LUBRICATION UNITS ARE AVAILABLE SINGULARLY OR PRIMED WITH SELECTED LUBRICANT & ACCESSORIES – PLEASE CONTACT OUR SALES TEAM WITH YOUR REQUIREMENTS



Lubricant Overview

WMH UK	F01	F02	F03	F04	F05	F06	F07	F08	F09	F10	F11
Rack & Pinions	+++	++	++	+	+++	+++	+	-	+	-	+
Linear Guides	-	+++	+++	++	-	-	+++	+++	++	+++	+++
Ball Screws	-	+++	+++	++	-	-	+++	++	++	++	++
Ball Bearings	+	+++	+++	+++	-	-	+++	+++	+++	++	+++
Plain Bearings	++	+++	+++	+++	++	++	+++	+	++	+	+
Chains	-	-	-	-	-	+++	-	-	-	-	-
Distributors	+++	+++	+++	+	+	+	+	+	++	+++	+++
Food Safe ?	NO	YES	NO	NO	NO	NO	NO	NO	NO	NO	NO
Temperature Range (°C)	- 30 +150	- 25 +180	- 20 +120	- 20 +130	- 20 +150	- 15 +250	- 40 +160	- 40 +170	- 30 +150	- 40 +140	- 20 +120
NLGI Class	0 - 1	2	2	2	2	-	2	2	2	2	1
Base Oil	Mineral Oil	Mineral Oil	Mineral Oil	Mineral Oil	Mineral Oil	Fully Synthetic Ester Oil	Synth Poly-Alpha-Olefin	Synth Hydro-Carbon	Mineral Oil & Additives	Mineral Oil / Syn Hydro-Carbon	Mineral Syn Oil
Thickener	Li-Ca-Comp	Ca-Sulf	Lithium	Lithium	Al-Comp	-	Synth Organic	Ca-Sulf	Lithium Soap	Lithium	Lithi & Organic
Viscosity (cSt @ 40°C)	800	80	100	180	500	30,000	150	46	22	82	55
VKA-Welding Force (N)	4800	6080	-	-	3200 3400	-	-	-	-	2200 2400	-
Max Tube Length (m)	10	5	8	5	5	5	10	5	10	5	10

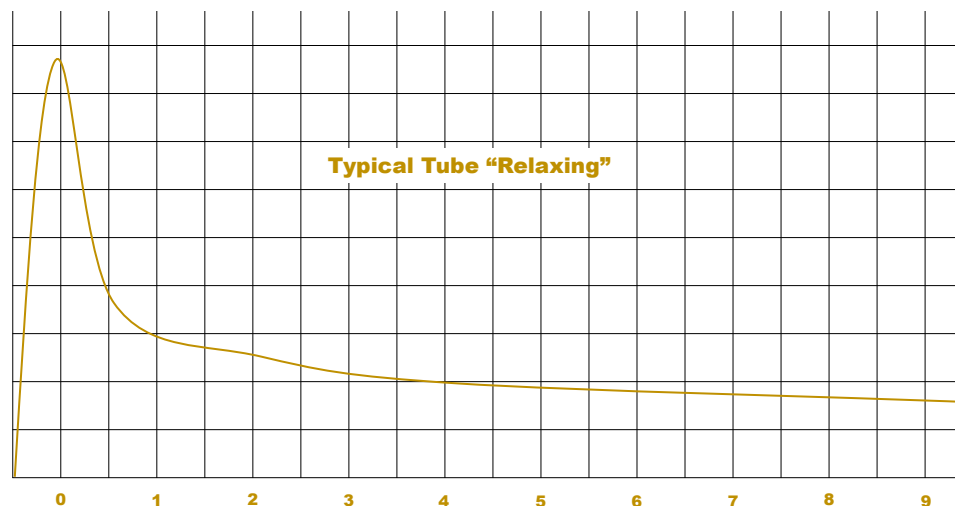
Mins After Pump Stroke	Tube Line Pressure (bar)
0	8.7
1	2.8
2	2.5
3	2.2
4	2.0
5	1.9
10	1.5

Example:

- 6mm OD x 4mm ID x 1M tube
- 20°C environment temperature
- 8.7 bar max during pump stroke

Conclusion:

- Line pressures over 10 bar are typical for longer tube lengths resulting in oil bleeding !



FULL MSDS AND TECHNICAL DATA SHEETS ARE AVAILABLE UPON REQUEST
PLEASE CONTACT OUR SALES TEAM WITH YOUR APPLICATION REQUIREMENTS



Grease – F01

For Open Gear Teeth Systems

Description:

- Based on lithium calcium composition with extreme pressure additives which are combined with the soap structure for optimum adhesiveness to metallic surfaces
- Heat resistant
- Good corrosion protection
- Contains no solid particles

Application:

- Has been developed specifically for high loaded open gears such as rack and pinions
- Suitable for a wide range of applications where high temperature and high loads exist

Parameter	Value
NLGI Class	0-1
Standard	DIN 51825 OGP0N-30
Temperature	-30 to +150°C

Application	Size	Part Number
Cartridge – FlexxPump 125	125cc	000-101-101
	250cc	000-101-102
Cartridge – FlexxPump 400	250cc	000-101-103
	400cc	000-101-105
Cartridge – FlexxPump 1500	1500cc	000-101-115
Tube – Hand Held Grease Gun	400cc	000-101-220
Tin	1 kg	000-101-210
Hobbock	18 kg	000-101-240
Barrel	180 kg	000-101-250

FULL MSDS AND TECHNICAL DATA SHEETS ARE AVAILABLE UPON REQUEST
PLEASE CONTACT OUR SALES TEAM WITH YOUR APPLICATION REQUIREMENTS



Grease – F02

Food Safe With NSF H1 Approval

Description:

- Hydrocarbon based synthetic grease specifically designed for use in the food industry
- Special partial thickener of high metal affinity
- Water, Steam and heat resistant
- Very good wear protection against high loads and high duty cycles

Application:

- High thermal oxidation stability
- Optimum lubricating effect with low friction value
- Suitable for a wide range of applications where high temperature and high loads exist

Parameter	Value
NLGI Class	2
Standard	DIN 51502 KP2R-30
Temperature	-25 to +180°C

Application	Size	Part Number
Cartridge – FlexxPump 125	125cc	000-102-101
	250cc	000-102-102
Cartridge – FlexxPump 400	250cc	000-102-103
	400cc	000-102-105
Cartridge – FlexxPump 1500	1500cc	000-102-115
Tube – Hand Held Grease Gun	400cc	000-102-220
Tin	1 kg	000-102-210
Hobbock	18 kg	000-102-240
Barrel	180 kg	000-102-250

FULL MSDS AND TECHNICAL DATA SHEETS ARE AVAILABLE UPON REQUEST
PLEASE CONTACT OUR SALES TEAM WITH YOUR APPLICATION REQUIREMENTS



Grease – F03

For Linear Guides & Ballscrews

Description:

- Short fibred and homogeneous lithium saponified universal mineral oil based grease
- Suitable for roller and slide bearings subject to medium and high loads
- Very adhesive, suitable for short stroke applications
- Water resistant with good corrosion protection

Application:

- Developed specifically for the lubrication of recirculating linear guides and ballscrews
- Very well suited to automatic lubrication units and also foam lubrication pinions

Parameter	Value
NLGI Class	2
Standard	DIN 51825 KP2K-20
Temperature	-20 to +120°C

Application	Size	Part Number
Cartridge – FlexxPump 125	125cc	000-103-101
	250cc	000-103-102
Cartridge – FlexxPump 400	250cc	000-103-103
	400cc	000-103-105
Cartridge – FlexxPump 1500	1500cc	000-103-115
Tube – Hand Held Grease Gun	400cc	000-103-220
Tin	1 kg	000-103-210
Hobbock	18 kg	000-103-240
Barrel	180 kg	000-103-250

FULL MSDS AND TECHNICAL DATA SHEETS ARE AVAILABLE UPON REQUEST
PLEASE CONTACT OUR SALES TEAM WITH YOUR APPLICATION REQUIREMENTS



Grease – F04

For General Purpose Bearings

Description:

- Multipurpose lithium calcium soap based grease with EP additives
- Suitable for bearings with average loadings

Application:

- For lubrication of bearings and ballscrews
- Suitable for continuous lubrication of open gear teeth with foam application pinions
- Vey well suited to automatic lubrication units and progressive distributors

Parameter	Value
NLGI Class	2
Standard	DIN 51502 KP2K-20
Temperature	-20 to +130°C

Application	Size	Part Number
Cartridge – FlexxPump 125	125cc	000-104-101
	250cc	000-104-102
Cartridge – FlexxPump 400	250cc	000-104-103
	400cc	000-104-105
Cartridge – FlexxPump 1500	1500cc	000-104-115
Tube – Hand Held Grease Gun	400cc	000-104-220
Tin	1 kg	000-104-210
Hobbock	18 kg	000-104-240
Barrel	180 kg	000-104-250

FULL MSDS AND TECHNICAL DATA SHEETS ARE AVAILABLE UPON REQUEST
PLEASE CONTACT OUR SALES TEAM WITH YOUR APPLICATION REQUIREMENTS



Grease – F05

For Rack & Pinion Systems

Description:

- Aluminium complex soap and graphite
- Based on high quality mineral oil
- Optimum adhesiveness & corrosion protection

Application:

- Developed for the lubrication of rack & pinions subject to extreme loading
- Very well suited for use with automatic lubrication units below 0°C

Parameter	Value
NLGI Class	2
Standard	DIN 51502 KPF2-P
Temperature	-20 to +150°C

Application	Size	Part Number
Cartridge – FlexxPump 125	125cc	000-105-101
	250cc	000-105-102
Cartridge – FlexxPump 400	250cc	000-105-103
	400cc	000-105-105
Cartridge – FlexxPump 1500	1500cc	000-105-115
Tube – Hand Held Grease Gun	400cc	000-105-220
Tin	1 kg	000-105-210
Hobcock	18 kg	000-105-240
Barrel	180 kg	000-105-250

FULL MSDS AND TECHNICAL DATA SHEETS ARE AVAILABLE UPON REQUEST
PLEASE CONTACT OUR SALES TEAM WITH YOUR APPLICATION REQUIREMENTS



Grease – F06

For Lubricating Chain Systems

Description:

- Synthetic highly viscous lubricant with a very wide temperature range
- Excellent corrosion protection
- Water resistant
- Very high adhesion prohibits centrifuge of lubricant from rotating components

Application:

- Has been developed specifically for lubricating chains and wear points
- Suitable for automatic lubrication units from 0°C up to 80°C

Parameter	Value
NLGI Class	-
Standard	-
Temperature	-15 to +250°C

Application	Size	Part Number
Cartridge – FlexxPump 125	125cc	000-106-101
	250cc	000-106-102
Cartridge – FlexxPump 400	250cc	000-106-103
	400cc	000-106-105
Cartridge – FlexxPump 1500	1500cc	000-106-115
Tube – Hand Held Grease Gun	400cc	000-106-220
Tin	1 kg	000-106-210
Hobcock	18 kg	000-106-240
Barrel	180 kg	000-106-250

FULL MSDS AND TECHNICAL DATA SHEETS ARE AVAILABLE UPON REQUEST
PLEASE CONTACT OUR SALES TEAM WITH YOUR APPLICATION REQUIREMENTS



Grease – F07

For Bearings At High Temperature

Description:

- Synthetic Grease
- Slight content of solid particle PTFE
- Wide temperature range

Application:

- Sleeve / journal bearings, screw jacks and linear guides
- Suitable for automatic lubrication units from -40°C up to 80°C

Parameter	Value
NLGI Class	2
Standard	DIN 51825 KPHC2P-40
Temperature	-40 to +160°C

Application	Size	Part Number
Cartridge – FlexxPump 125	125cc	000-107-101
	250cc	000-107-102
Cartridge – FlexxPump 400	250cc	000-107-103
	400cc	000-107-105
Cartridge – FlexxPump 1500	1500cc	000-107-115
Tube – Hand Held Grease Gun	400cc	000-107-220
Tin	1 kg	000-107-210
Hobcock	18 kg	000-107-240
Barrel	180 kg	000-107-250

FULL MSDS AND TECHNICAL DATA SHEETS ARE AVAILABLE UPON REQUEST
PLEASE CONTACT OUR SALES TEAM WITH YOUR APPLICATION REQUIREMENTS



Grease – F08

For Bearings At Low Temperature

Description:

- Synthetic grease developed for low temperatures
- Excellent wear and corrosion protection
- Wide operating temperature range

Application:

- Sleeve / journal bearings, screw jacks and linear guides
- Suitable for automatic lubrication units from -25°C up to 80°C

Parameter	Value
NLGI Class	2
Standard	DIN 51502 KPHC2P-40
Temperature	-40 to +170°C

Application	Size	Part Number
Cartridge – FlexxPump 125	125cc	000-108-101
	250cc	000-108-102
Cartridge – FlexxPump 400	250cc	000-108-103
	400cc	000-108-105
Cartridge – FlexxPump 1500	1500cc	000-108-115
Tube – Hand Held Grease Gun	400cc	000-108-220
Tin	1 kg	000-108-210
Hobbock	18 kg	000-108-240
Barrel	180 kg	000-108-250

FULL MSDS AND TECHNICAL DATA SHEETS ARE AVAILABLE UPON REQUEST
PLEASE CONTACT OUR SALES TEAM WITH YOUR APPLICATION REQUIREMENTS



Grease – F09

For High Speed Roller Bearings

Description:

- Mineral oil based lithium soap complex grease
- High adhesion prohibits centrifuge of lubricant from rotating components

Application:

- Sleeve / journal bearings, screw jacks and linear guides
- Suitable for automatic lubrication units from -15°C up to 80°C

Parameter	Value
NLGI Class	2
Standard	DIN 51502 KP2K-30
Temperature	-30 to +150°C

Application	Size	Part Number
Cartridge – FlexxPump 125	125cc	000-109-101
	250cc	000-109-102
Cartridge – FlexxPump 400	250cc	000-109-103
	400cc	000-109-105
Cartridge – FlexxPump 1500	1500cc	000-109-115
Tube – Hand Held Grease Gun	400cc	000-109-220
Tin	1 kg	000-109-210

FULL MSDS AND TECHNICAL DATA SHEETS ARE AVAILABLE UPON REQUEST
PLEASE CONTACT OUR SALES TEAM WITH YOUR APPLICATION REQUIREMENTS



Grease – F10

For Prolonged Operating Life

Description:

- Lithium soap based grease
- Good protection against deterioration over prolonged duration
- Excellent wear protection
- Best performance for high and low operating temperature applications

Application:

- Sleeve / journal bearings, screw jacks and linear guides
- Suitable for automatic lubrication units from -20°C up to 80°C

Parameter	Value
NLGI Class	2
Standard	-
Temperature	-40 to +140°C

Application	Size	Part Number
Cartridge – FlexxPump 125	125cc	000-110-101
	250cc	000-110-102
Cartridge – FlexxPump 400	250cc	000-110-103
	400cc	000-110-105
Cartridge – FlexxPump 1500	1500cc	000-110-115
Tube – Hand Held Grease Gun	400cc	000-110-220

FULL MSDS AND TECHNICAL DATA SHEETS ARE AVAILABLE UPON REQUEST
PLEASE CONTACT OUR SALES TEAM WITH YOUR APPLICATION REQUIREMENTS



Grease – F11

For High Speed Ball Bearings

Description:

- Lithium soap based grease
- Good running properties at emergency high velocity
- Excellent wear protection
- Best performance in automatic lubrication units due to high viscosity

Application:

- Sleeve / journal bearings, screw jacks and linear guides
- Suitable for automatic lubrication units from -20°C up to 80°C

Parameter	Value
NLGI Class	1
Standard	DIN 51825 KP1K-20
Temperature	-20 to +120°C

Application	Size	Part Number
Cartridge – FlexxPump 125	125cc	000-111-101
	250cc	000-111-102
Cartridge – FlexxPump 400	250cc	000-111-103
	400cc	000-111-105
Cartridge – FlexxPump 1500	1500cc	000-111-115
Tube – Hand Held Grease Gun	400cc	000-111-220

FULL MSDS AND TECHNICAL DATA SHEETS ARE AVAILABLE UPON REQUEST
PLEASE CONTACT OUR SALES TEAM WITH YOUR APPLICATION REQUIREMENTS



Oil – OE1

For Lubricating Chain Systems

Description:

- Highly viscous synthetic white oil
- High creep capability
- Adherent with good EP and boundary lubrication capabilities

Application:

- For the lubrication of chains and sleeve / journal bearings
- Suitable for automatic lubrication units from 5°C up to 65°C

Parameter	Value
NLGI Class	-
Standard	White
Temperature	-10 to +80°C

Application	Size	Part Number
Cartridge – FlexxPump 400	400cc	000-201-105
Barrel	5000cc	000-201-503

FULL MSDS AND TECHNICAL DATA SHEETS ARE AVAILABLE UPON REQUEST
PLEASE CONTACT OUR SALES TEAM WITH YOUR APPLICATION REQUIREMENTS



Oil – OE3

Food Safe With NSF H1 Approval

Description:

- Paraffin oil with food safe approval
- Excellent protection against deterioration over prolonged duration

Application:

- For the lubrication of chains and sleeve / journal bearings
- Suitable for automatic lubrication units from 5°C up to 80°C

Parameter	Value
NLGI Class	-
Standard	Paraffin
Temperature	-15 to +120°C

Application	Size	Part Number
Cartridge – FlexxPump 400	400cc	000-203-105
Barrel	5000cc	000-203-505
Barrel	20000cc	000-203-507

FULL MSDS AND TECHNICAL DATA SHEETS ARE AVAILABLE UPON REQUEST
PLEASE CONTACT OUR SALES TEAM WITH YOUR APPLICATION REQUIREMENTS



"Part of your drive"

**2 Centurion Way
Centurion Park
Tamworth
Staffordshire
B77 5PN**

**PLEASE SEE OUR OTHER
PRODUCT RANGES**



WMH
Transmissions
Limited
"Part of your drive"

LIFTING SYSTEMS
STOCK CATALOGUE
EDITION 01

www.wmh-trans.co.uk
sales@wmh-trans.co.uk

TEL: 01827 288 122
FAX: 01827 253 390



WMH
Transmissions
Limited
"Part of your drive"

LINEAR MOTION
STOCK CATALOGUE
EDITION 02 - 2017

www.wmh-trans.co.uk
sales@wmh-trans.co.uk

TEL: 01827 288 122
FAX: 01827 253 390

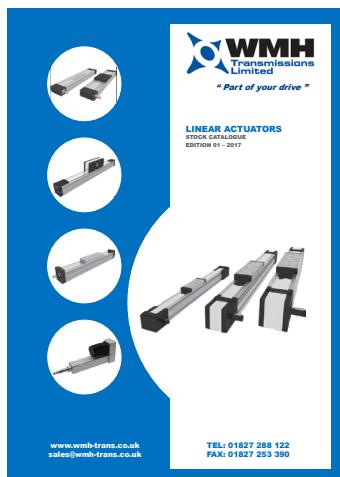


WMH
Transmissions
Limited
"Part of your drive"

TRANSMISSION PRODUCTS
STOCK CATALOGUE
EDITION 01

www.wmh-trans.co.uk
sales@wmh-trans.co.uk

TEL: 01827 288 122
FAX: 01827 253 390



WMH
Transmissions
Limited
"Part of your drive"

LINEAR ACTUATORS
STOCK CATALOGUE
EDITION 01 - 2017

www.wmh-trans.co.uk
sales@wmh-trans.co.uk

TEL: 01827 288 122
FAX: 01827 253 390



**TEL: 01827 288 122
FAX: 01827 253 390**

**www.wmh-trans.co.uk
sales@wmh-trans.co.uk**